

# The Foundations of Vacuum Coating Technology

Donald M. Mattox  
Management Plus, Inc.  
Albuquerque, New Mexico

---

**NOYES PUBLICATIONS**  
**WILLIAM ANDREW PUBLISHING**  
Norwich, New York, U.S.A.

**Copyright © 2003, Noyes Publications / William Andrew Publishing. All rights reserved.**

No part of this book may be reproduced or utilized in any form or by any means, electronic or mechanical, including photocopying, recording, or by any information storage and retrieval system, without permission in writing from the Publisher.

**Cover Art © 2003 by Brent Beckley / William Andrew Publishing**

**Library of Congress Catalog Card Number: 2003004260**

**ISBN: 0-8155-1495-6**

Published in the United States of America by  
Noyes / William Andrew Publishing

13 Eaton Avenue

Norwich, NY 13815

1-800-932-7045

[www.williamandrew.com](http://www.williamandrew.com)

[www.knovel.com](http://www.knovel.com)

10 9 8 7 6 5 4 3 2 1

This book may be purchased in quantity at discounts for education, business, or sales promotional use by contacting the Publisher. Plastics Design Library and its logo are trademarks of William Andrew Inc.

Notice: To the best of our knowledge the information in this publication is accurate; however the Publisher does not assume any responsibility or liability for the accuracy or completeness of, or consequences arising from, such information. This book is intended for informational purposes only. Mention of trade names or commercial products does not constitute endorsement or recommendation for use by the Publisher. Final determination of the suitability of any information or product for any use, and the manner of that use, is the sole responsibility of the user. Anyone intending to rely upon any recommendation of materials or procedures mentioned in this publication should be independently satisfied as to such suitability, and must meet all applicable safety and health standards.

Manufactured in the United States of America.

Library of Congress Cataloging-in-Publication Data

Mattox, D. M.

The foundations of vacuum coating technology / Donald M. Mattox.

p. cm.

ISBN 0-8155-1495-6 (alk. paper)

1. Vacuum metallurgy--Congresses. 2. Metal coating--Congresses. I. Title.

TN686.5.V3M38 2003

669'.028'4--dc21

2003004260

## Dedication

The author would like to dedicate this book to his wife, Vivienne, without whose support and encouragement this book would not have been written. He would also like to dedicate the book to his granddaughter, Lindsey, with the hope that when she grows up she will study the history of those subjects that are of interest to her.

## Acknowledgments

The author assumes responsibility for all errors of commission and omission and would like to encourage comments, corrections, and additions to be sent to [donmattox@mpinm.com](mailto:donmattox@mpinm.com). The author would like to acknowledge Collin Alexander for providing material from the “proceedings” of the 1943 U.S. Army-sponsored conference on “Application of Metallic Fluoride Reflection Reducing Films to Optical Elements”—the text of which may be found on the SVC Web Site at [www.svc.org](http://www.svc.org); Ric Shimshock for the reference to the early work on magnetron sputtering on webs; Bob Cormia for his comments on the early development of planar magnetrons; and Angus Macleod for input on the early work in optical coatings. Russ Hill made some important contributions, as did Bob Waits, who called my attention to Fred Wehner’s discussion on the etymology of the term “sputtering.” The author would like to express thanks to Phil Baumeister for calling attention to the very important RLG patent and thus to some interesting patent litigation.

The author would particularly like to thank Julie Filatoff for her expert editing and formatting of this book, Linnea Dueker for her excellent job of scanning the illustrations, and Julie Romig for her critical reading of the manuscript. The SVC Oral History Project, located on the SVC Web Site at [www.svc.org/H/H\\_OralInterviews.html](http://www.svc.org/H/H_OralInterviews.html), has also contributed some interesting details. Don Mattox would like to encourage anyone with historical papers, patents, pictures, or other materials related to the history of vacuum coating to contact him at [donmattox@mpinm.com](mailto:donmattox@mpinm.com).

# Preface

Vacuum coating processes consist of a source of vapor (atomic or molecular) of the material to be deposited, transport of the vapor to the surface to be coated, and condensation on the surface to form a thin film or coating with the desired properties. In the case of reactive deposition, availability of the reactive gas at the surface of the growing film and “activation” of the reactive gas are important.

Generally all the necessary ingredients for different vacuum-coating processes were present long before the process was used in production. In some cases, such as Edison’s “Gold Moulded” cylinder phonograph record production (1902–1912), a vacuum coating process (“electrical evaporation,” “cathodic disintegration” or, as it was later called, “sputtering”) was the “enabling technology” that allowed mass production of the records. In other cases the use of vacuum coating processes has supplanted the use of other coating processes, such as electroplating, with a more environmentally friendly process. In still other cases the existence of vacuum coating processes allowed new applications and markets to be developed. An example is the deposition of “decorative-functional” coatings that have both a pleasing appearance (gold, brass, or gray-black for example) and wear resistance.

As with many ideas, inventions, and inventors, it is often difficult to establish the originator of any particular idea or invention. The search is complicated by the information being in both the patent literature and the scientific/technical literature. Patents seldom cite relevant technical papers and technical papers seldom cite relevant patent literature.

The field of vacuum coating is continually evolving and new processes, materials, and applications provide a fertile field for the historian.

**“Those that do not know the history of their field are doomed to repeat its mistakes or end up in patent litigation.” (G. Santayana, *paraphrased*)**

# Table of Contents

|  |     |
|--|-----|
| Preface .....  | vii |
| Introduction .....   | 1   |
| Early Vacuum Science and Technology .....                        | 2   |
| Early Electricity and Magnetism .....                            | 5   |
| Early Plasma Physics and Chemistry .....                         | 7   |
| Some Scientific and Engineering Societies and Publications ..... | 9   |
| Patents and the U.S. Patent Office .....                         | 10  |
| Deposition Processes .....                                       | 11  |
| Sputter Deposition .....   | 11  |
| Thermal Evaporation .....  | 19  |
| Arc Vapor Deposition .....                                       | 24  |
| Chemical Vapor Deposition .....                                  | 27  |
| Ion Plating .....  | 30  |
| Surface Preparation .....  | 34  |
| Summary .....  | 37  |
| Endnotes .....   | 39  |
| References .....   | 43  |
| Acronyms Used in Vacuum Coating .....                            | 61  |
| Glossary of Terms for Vacuum Coating .....                       | 69  |

---

# Introduction

Vacuum coatings processes use a vacuum (sub-atmospheric pressure) environment and an atomic or molecular condensable vapor source to deposit thin films and coatings. The vacuum environment is used not only to reduce gas particle density but also to limit gaseous contamination, establish partial pressures of inert and reactive gases, and control gas flow. The vapor source may be from a solid or liquid surface (physical vapor deposition—PVD), or from a chemical vapor precursor (chemical vapor deposition—CVD). The terms “physical vapor deposition” and “chemical vapor deposition” seem to have originated with C.F. Powell, J.H. Oxley, and J.M. Blocher, Jr., in their 1966 book *Vapor Deposition* to differentiate between the types of vapor sources [1]. The term “vacuum deposition” is often used instead of PVD, particularly in the older literature such as Leslie Holland’s classic 1956 book *Vacuum Deposition of Thin Films* [2]. Vacuum coatings can also be formed by deposition of molten particles in a vacuum [3], but that process will not be covered here.

In PVD processing the vaporization may be from thermal heating of a solid (sublime) or liquid (evaporate) surface or by the non-thermal (momentum transfer) process of sputtering (physical sputtering). When the depositing material reacts with the ambient gaseous environment or a co-deposited material to form a compound, it is called reactive deposition. If the vapor source is from a solid molecular species (such as silicon oxide), some of the more volatile constituents may be lost upon vaporization. If these lost species are replaced by a reactive species from the deposition environment, the process may be called quasi-reactive deposition. The particle density in the vacuum may be such as to sustain a plasma discharge that provides ions and electrons. This plasma “activates” reactive gases for reactive deposition processes and aids in the decomposition of chemical vapor precursors (“plasma deposition” or plasma-enhanced chemical vapor deposition—PECVD). In some cases PVD and CVD processes

are combined in the same chamber at the same time to deposit the material in a “hybrid process.” For example, the deposition of titanium carbonitride ( $\text{TiC}_x\text{N}_y$  or  $\text{Ti}(\text{CN})$ ) may be performed using a hybrid process where the titanium may come from sputtering titanium; the nitrogen is from a gas and the carbon is from acetylene vapor. Alloys, mixtures, compounds and composite materials can be deposited using a single source of the desired material or multiple sources of the constituents.

In many instances the term “thin film” is used when discussing PVD vacuum deposits. This is because most early applications did not rely on the mechanical properties of the deposited material; they relied on the optical and electrical properties of thin deposits. In many recent applications the vacuum-deposited materials have been used for mechanical, electrical, and tribological applications, and the deposit thickness has become greater. The term “thick films” is not appropriate because that term is used for paint-on, fired-on coatings from slurries [4]. The term “metallurgical coating” is sometimes used but would not seem to be applicable to coatings that are not metallic. So the term “vacuum coating” is used here to refer to both thin films and thick deposits deposited by PVD or CVD in a sub-atmospheric (vacuum) gaseous environment. As an arbitrary delineation, the term “thin film” will generally be used for deposits less than about 0.5 microns (5,000 Ångstroms or 500 nanometers) in thickness. These types of vacuum coating processes are not to be confused with the “vacuum coating” process in the paint industry where excess paint is removed from a moving surface by a “vacuum.”

The history of vacuum coating processes is closely associated with the history and the development of vacuum technology, electricity, magnetism, gaseous chemistry, plasma technology, thermal evaporation, arcing, and sputtering. “Pioneering” work (E-1) in these areas has led to many advances in vacuum coating technology.

# Early Vacuum Science and Technology

(General References [5-9])

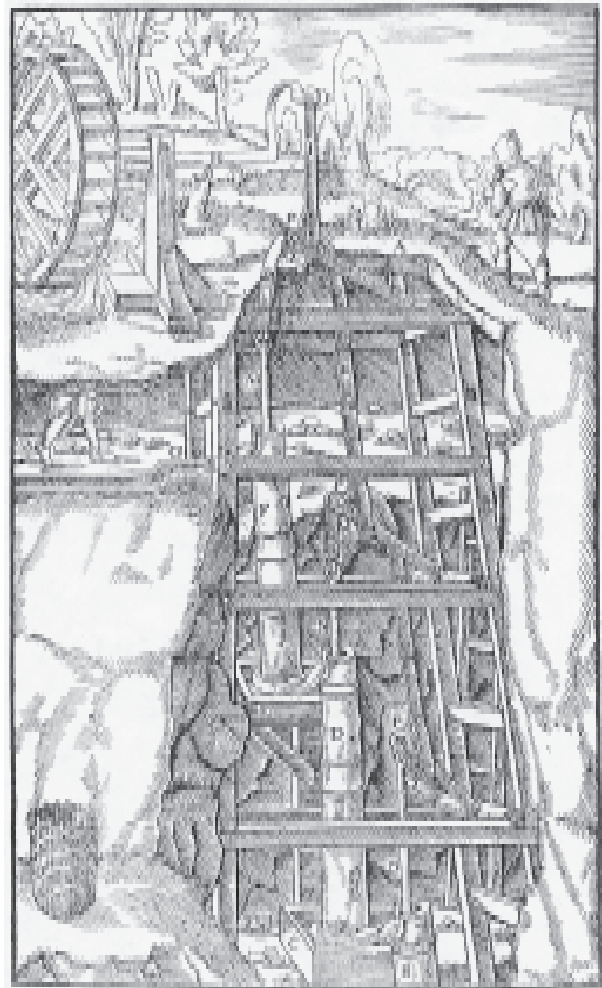
In about 1640, Otto von Guericke made the first piston-type vacuum pump (which he called “air pumps”) patterned after the water pumps that had been used for many years to remove water from mines [10]. Figure 1 shows a woodcut picture of a mine being pumped out using several stages of water pumps. In 1654 von Guericke performed the famous “Magdeberg hemispheres” demonstration that really introduced the vacuum pump to the scientific world. In 1643 Torricelli demonstrated the mercury barometer based on the water manometer experiments of Berti (~1640). In 1662 Boyle formulated Boyle’s Law, and in 1801 Dalton expressed the Law of Partial Pressures. Piston-type vacuum pumps came into widespread use, but vacuum experiments had to be continually pumped because of the poor vacuum seals available at that time.

In the early to mid-1800s, heat-moldable, electrically insulating materials included gutta-percha, a material made from the sap of a tree native to Southeast Asia (F. Montgomery brought this to Europe, 1843); the molded plastic made from shellac and sawdust (and later coal dust) (H. Peck & C. Halvorson, Norway, 1850); and “India rubber,” which was made from rubber tree sap, sulfur, and gum shellac (G. Goodyear, 1851). L. Baekeland invented “Bakelite,” the first totally synthetic thermo-setting plastic, in 1907. Glass forming (ancient) and porcelain fabrication (W. Bottger, Germany, 1710) were well understood by the mid-1800s.

In 1857 H. Geissler invented the platinum-to-glass seal that allowed “sealed-off” vacuum tubes to be produced. This was a major advance in vacuum technology. Neoprene (“artificial”) rubber was invented by DuPont in 1933, and molded seals of this material began to be used by the vacuum community in the late 1930s and replaced wax sealing. As late as the 1960s, finding and fixing vacuum leaks was a major part of vacuum technology and “Glyptol” (a paint—GE), “black wax” (Apiezon—W) and “elephant s—” (a putty) (Apiezon—Q) were common fixtures in the vacuum facility. Many of the early experiments used hydrogen flushing to augment

vacuum pumping to reduce oxygen in the chamber. During WWII the Germans used phosphorus pentoxide, a desiccant, in the vacuum chamber to remove water vapor when depositing optical coatings.

In 1855 H. Geissler invented the mercury piston pump, which was widely used but left mercury vapor contamination in the vacuum (mercury has a vapor pressure of 1.2 mTorr at room temperature). Töpler improved the Geissler pump, and in 1865 Sprengel invented the mercury siphon pump, which greatly reduced the labor and attention required for vacuum pumping. In 1874 McLeod invented the



**Figure 1.** Multistage “syringe” water pumps removing water from a mine. From the book on mining, *De Re Metallica* (1556) [10].



“McLeod vacuum gauge,” which was capable of measuring very low pressures. By using a combination of Geissler and Sprengel vacuum pumps, cold trapping and “flaming,” good vacuums (about  $10^{-6}$  atmospheres) could be achieved. Thomas Edison used this combination of techniques in the production of the first carbon-filament electric light bulbs in 1879. Figure 2 shows vacuum pumping, 1880s style. It was not until about 1895 that liquefied air was used to trap mercury vapor pumps. This was after T. Linde and J. Hampson had introduced “regenerative cooling” as a means of liquefying gases and J. Dewar invented a means for storing liquefied gases (Dewar flask). In 1901 H.C. Booth invented the first electrically-driven vacuum cleaner. The term “vacuum cleaner” was first used in Booth’s advertisements.

In 1907 W. Gaede invented the oil-sealed rotary vane mechanical pump. By 1910, electric-motor-driven, oil-sealed, rotary vane pumps were in common use. In 1913 the mercury diffusion pump was invented by I. Langmuir and was improved by W. Gaede in 1922. In 1926 C.R. Burch replaced the mercury with low-vapor pressure oil, though well-trapped mercury diffusion pumps were considered the “cleanest” high-vacuum pumps for many years afterward. In 1937 L. Malter built the first metal oil diffusion pump; until that time fractionating and non-fractionating diffusion pumps were made of glass. The oil diffusion pump (“diff pump”) has remained the principal high-vacuum pump used on many large vacuum coating systems. During WWII, the company Distillation Products, Inc. (later Consolidated Vacuum Corp.—CVC) and National Research Corporation (NRC—later a division of Varian Corp.) were the major suppliers of vacuum equipment to the vacuum coating industry.

Cryopumps and turbomolecular pumps have widespread use in the vacuum coating industry where small chambers are pumped or where oil contamination is a major concern. The cryopump developed from the use of cold traps in vacuum chambers and also cold shrouds in space simulators [11]. Liquid helium cooling developed after the invention of the “closed-loop” helium cryostat (Gifford-McMahon cycle) in 1960 but did not come into widespread use until 1980, when Varian Corp. began marketing cryopumps. W. Gaede invented a turbopump in 1912, but the modern vertical-axis, high-RPM turbopump



**Figure 2.** Vacuum pumping, 1880s style. This type of vacuum pumping system was used by T. Edison in the early manufacture of light bulbs.

was developed independently in 1958 by H.A. Steinhertz and by W. Becker. Pfeiffer Corp. began marketing turbopumps in 1958.

In the mid-1990s molecular drag stages were added to turbomolecular pumps. This technology allowed turbopumps to exhaust to higher pressures so diaphragm pumps could be used as backing pumps. This combination allowed very oil-free pumping systems (“dry pumps”) to be developed for critical applications. The use of piston pumps also returned due to the need for clean, dry pumps. Ultra-clean vacuum components (and their packaging) and vacuum systems were developed for the semiconductor industry around the late 1960s [12].

In 1906 W. Voegé invented the thermocouple vacuum gauge, and in 1909 M. von Pirani invented the Pirani gauge. That year the hot cathode ionization gauge was invented by Von Baeyer. The modern Bayard-Alpert hot cathode ionization gauge was invented by R.T. Bayard and D. Alpert in 1950. W. Sutherland (1897), I. Langmuir (1913), and J.W. Beams (1960) advanced the concept of various viscosity (molecular drag, spinning rotor) gauges. Beams’ high-speed rotor work was the basis of the modern spinning rotor (molecular drag) gauge. The modern capacitance manometer gauge was invented by A.R. Olsen and L.L. Hirst in 1929 but did not

become commercially available until 1961 when MKS Corporation began marketing it. F.M. Penning invented the magnetron cold cathode ionization gauge in 1937. In 1922 S. Dushman wrote the classic book *Production and Measurement of High Vacuum*. Helium leak detectors and many other advancements in vacuum technology were developed during WWII in support of the isotope separation project.

In the early years vacuum chambers were predominately single chambers, though Edison patented a dual-chamber vacuum system in the early 1900s to speed up production of light bulbs. With the advent of integrated circuit (IC) technology in the 1960s the need for high volume production of substrates having several layers deposited on them led to the development of several types of chambers [12a] including the open-ended [12b] and closed-ended [12c] “in-line” systems. Several systems were patented that had a central vacuum transfer chamber [12d]. A problem with these central-chamber designs was probably the complicated transfer mechanisms needed. In 1987 Applied Materials Inc. introduced the first commercial multiple-chamber “cluster tool” for semiconductor processing. This system was used for sequential deposition of doped and undoped PECVD films with an intermediate plasma-etching step [13]. These cluster tool systems later allowed very precise “pick-and-place” movement of wafers from a central cassette into processing chambers in a random sequence. Also in the 1960s coating on strip metal was being developed [13a]. This led to the fabrication of thin metal foils by depositing difficult to fabricate metals, such as beryllium, on a mandrel and then removing it in a continuous manner.

With the advent of reactive deposition and hybrid processing, the control of gas composition and mass flow has become an important aspect of vacuum engineering and technology. This includes partial pressure control and gas manifolding in processing chambers. Many vacuum measurement instruments cannot be used for measurement of total

gas pressures in the presence of a plasma in the range of interest to many PVD processes (0.5 to 20 mTorr). Capacitance manometer gauges and spinning rotor gauges are commonly used in these applications. Differentially pumped mass spectrometers can be used to monitor and control partial pressures of gases. In 1984 a mass spectrometric feedback method of controlling the partial pressure of reactive gases in reactive sputter deposition was patented. Optical emission spectroscopy is also used to control the partial pressures of reactive gases in reactive sputter deposition. Optical emission has been used for many years to detect the “end-point” in plasma etching for semiconductor processing.

The use of vacuum equipment for deposition (and etching) processes also introduces problems associated with pumping and disposing of possibly toxic, flammable, and corrosive processing gases, as well as reactive gases used for *in situ* cleaning of the vacuum systems. Specialized vacuum equipment and *in situ* chamber plasma-etch-cleaning techniques have been developed to address these concerns.

An important aspect of vacuum coating processing is often how to create a vacuum rapidly and reduce the water vapor contamination quickly. In creating a “clean” vacuum the problem of water vapor moving from its point of origin to the vacuum pump by way of numerous “adsorption-desorption” events on surfaces is often the controlling factor in removing water vapor from the chamber [14].

The term “vacuum” should be used with caution because it means different things to different people. To some people the term vacuum means that the gas density is so low that the gaseous species do not affect the process or phenomena being studied. To others it means a sub-atmospheric gas density that should, or must, be controlled during the process or study in order to have reproducible results. For example, in Jim Lafferty’s 1980 book *Vacuum Arcs* he makes a point of saying, “If there is an arc there is no vacuum and where there is a vacuum there is no arc” [15].

# Early Electricity and Magnetism

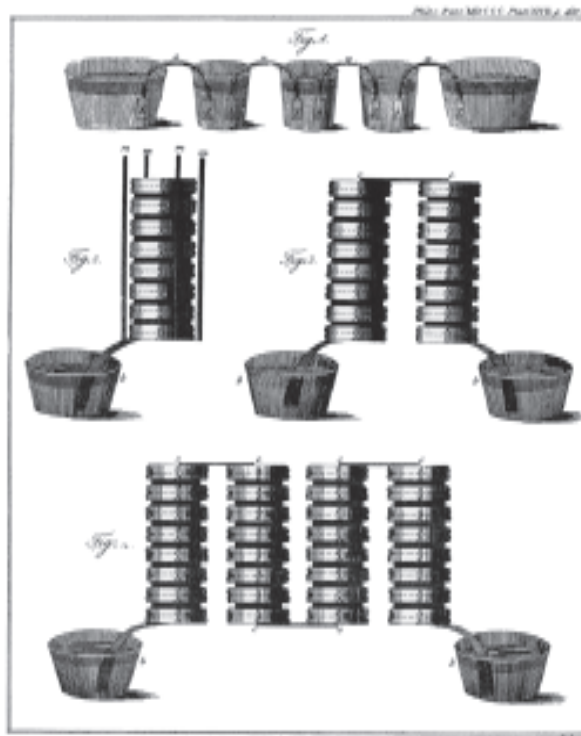
(General References [16-18])

In 1600 W. Gilbert wrote the book *De Magnete (On The Magnet)*. This book is considered to be the first scientific publication. In 1672 Otto von Guericke (of vacuum pump fame) built the first electrostatic (frictional) electricity-generating machine, which used a rotating ball of sulfur. “Friction electricity” was used for entertainment in the early years (E-2). In 1732 Gray described the conduction of electricity, and about 1745 the air capacitor (Leyden jar) was invented by von Kleist, which allowed electricity to be stored. The invention of the Leyden jar is sometimes erroneously credited to Prof. van Musschenbroek at the University of Leyden in The Netherlands. In 1749 Benjamin Franklin introduced the concept of positive and negative electricity and the conservation of charge. Franklin also introduced the word “battery” for a bank of Leyden jars (E-3). In 1800 Alessandro Volta invented the electrolytic “voltaic pile” (later called a battery) based on the observations of “animal electricity” by Luigi Galvani (1791) and others (see Figure 3). The science of electrochemistry had its beginning at that time [19]—for example, the electrodeposition of copper (Cruikshank in 1800) and electrolysis, which allowed the separation of oxygen and hydrogen from water (an accidental discovery by Nicolson and Carlyle in 1800). Napoleon Bonaparte was immediately interested and supported the construction of very large arrays of batteries, as did others. For example, the Russians built an array of 4,200 Cu-Zn cells in 1803 at St. Petersburg’s Medical and Surgical Academy. In 1810 Sir Humphry Davy produced a manmade arc between two electrodes. (“Arc” is from the word “arch,” which is the shape of a long arc between two electrodes in air due to heating and convection.) Davy is generally credited with producing the first manmade arc, although a Russian, Vasilli V. Petrov, reported the same effect in 1803.

In 1820 H.C. Oersted detected the magnetic field around a current-carrying wire, and in 1821 Ampère invented the galvanometer. In 1831 Michael Faraday discovered electromagnetic induction. The first continuous generation of electricity, both AC and DC, using induction was developed by Hypolite Pixii in 1832. M. Nollet improved Pixii’s design in 1849 or

1850. This led to the first commercial use of mechanically generated electricity. In 1836 N.J. Callan made the first induction coil to produce pulses of high voltages by periodically making and breaking a DC circuit. In 1851 H.D. Rühmkorff built a high-quality induction coil (“Rühmkorff coil”) that allowed the generation of high voltages, and this device was widely used with gas-discharge tubes for many years.

In 1858 J. Plücker reported the bending of “cathode rays” by a magnetic field. In 1864 James Clerk Maxwell wrote the book *On a Dynamic Theory of Electromagnetic Fields*. In 1883 T. Edison placed a plate in one of his early lamp bulbs and noted that the current was higher when a filament, at a negative potential, was heated to incandescence (“Edison Effect”) [20]. He was awarded a patent for the use of the changing current flow to “control machinery.” In 1888 J. Elster and H. Geitel “rediscovered” the



**Figure 3.** Four connections of “voltaic piles” (alternate silver and zinc discs separated by moist paper) as described in A. Volta’s letter to Sir Joseph Banks of the Royal Society of London bearing the title, “On the Electricity excited by the mere Contact of conducting Substances of different kinds,” dated March 20, 1800.

“Edison Effect,” and they are often credited with discovering thermoelectron emission. In 1899 J.J. Thompson noted the same effect from a cathode of heated CaO and proposed “ionization by repeated contacts.” In 1891 G.J. Stoney introduced the word “electron” for the charge passing through an electrolyte. In 1897 J.J. Thompson started his many studies on cathode rays that led to the identification of the electron (which he called a “corpuscle”) in 1898. In 1895 Röntgen (or Rsntgen) discovered X-rays. In 1904 Fleming invented the “Fleming Valve,” which was the forerunner of the triode vacuum tube.

Around the turn of the century there was an ongoing debate over which was better, direct current (DC) voltage advocated by Thomas Edison or alternating current (AC) voltage advocated by Nikola Tesla and George Westinghouse, who had purchased Tesla’s patents (E-4, E-5). Of course AC won out partially because of its ability to step up or step down voltages using transformers. Until about the mid-1970s most high-voltage DC was produced using stepped-up voltages and electron tube rectifiers, such as the mercury vapor rectifiers. With the advent of solid-state electronics, high-voltage DC could be produced using solid-state rectifiers, but the electronics became more susceptible to arcing.

Radio frequency (RF) power is used to sputter dielectric materials. Until the mid-1970s crystal-controlled oscillators were used for frequency control (13.56 MHz); after that, solid-state oscillators were used. Around 1990, solid-state bipolar-pulsed power supplies became available with frequencies up to about 250 kHz (10 kHz to 250 kHz, “mid-frequency” AC) [21]. Pulsed power became an important option for sputtering and substrate biasing (E-6). High-power, mid-frequency AC power supplies could be produced at a much lower cost than comparable RF power supplies.

In 1928 Thompson discovered the diffraction of electrons as they passed through a thin film. In the late 1930s an “electron trap” was developed to confine electrons near a surface using a combination of electric and magnetic fields. This enhanced the plasma density near the surface and was called a “Penning Discharge.” The Penning discharge was used to sputter from the inside of a cylinder (Penning 1936) and from a post (Penning and Mobius, 1940) This was a pioneering work in sputtering. The first device called a “magnetron” was invented by Albert W. Hull in about 1920. The cavity magnetron that led to the radar of WWII was invented by H.A. Boot and J.T. Randall in 1940 [22].

# Early Plasma Physics and Chemistry

(General References [23-27])

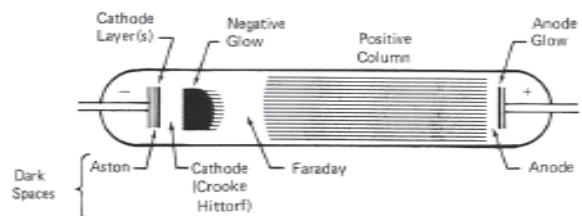
In 1678 J. Picard noted a glow in the top of an agitated mercury barometer (“Picard’s Glow”). Around 1720, F. Hawksbee used “frictional electricity” to generate a plasma in a vacuum that was intense enough “to read by.” Scientists used “frictional electricity” to study the chemistry in electric sparks and plasmas before 1800. After the invention of the voltaic battery in 1800 by A. Volta, the study of the chemistry in electric arcs rapidly developed.

Since the mid-1800s there have been a number of studies of glow discharges and the spectral emission from the glows. The first glow (gas) discharge “vacuum tube” was made by M. Faraday in 1838 using brass electrodes and a vacuum of approximately 2 Torr. In 1857 Heinrich Geissler, who was the glassblower for Professor Julius Plücker, invented the platinum-to-glass seal that allowed sealed-off glow-discharge tubes (Geissler tubes) to be produced. In 1860 J.H. Hittorf, a pupil of Plücker’s, noted that “cathode rays” (electrons from the cathode) projected “shadows” in a gas discharge tube (E-7). In 1885 Hittorf produced an externally excited plasma (“electrodeless ring discharge”) by discharging a Leyden jar through a coil outside the glass chamber. W. Crookes made a number of studies using gas discharge tubes (“Crookes’ tubes”) (E-8). Figure 4 shows a modern rendition of the Crookes’ tube [27]. J.J. Thompson made a number of studies which indicated that the cathode ray was composed of negative particles that were the same as Stoney’s “electrons.” In 1886 E. Goldstein, using a perforated cathode, identified the positively charged “proton” that was about 2,000 times heavier than the electron. In 1894 W. Ramsay discovered the inert gas argon.

In the mid-1920s I. Langmuir developed the small-area plasma probes that allowed characterization of plasmas (charge densities and particle temperatures). In 1926 Arthur R. von Hippel observed the optical emission spectra of sputtered atoms in a plasma. Although Hittorf had produced externally excited plasmas in 1885, the mechanism of this generation was in dispute until 1929 when McKinnon showed that at low gas densities the discharges were capacitively driven by coupling between the low- and high-voltage ends of the coil, while at high gas

densities the plasma was inductively coupled between the turns of the coil. The inductively coupled plasma (ICP) was the basis of some early plasma sources. Reference [28] gives an example of a high-enthalpy ICP source. In the late 1930s an electron trap, which used a combination of electric and magnetic fields parallel to the surface called the “Penning effect,” was used to enhance the plasmas near the surface in sputtering from cylindrical-hollow (inverted) magnetrons and cylindrical-post magnetrons. Work on these “surface magnetron” sputtering configurations was curtailed by WWII. The Penning effect was incorporated into a number of other applications such as vacuum gauges, sputter-ion pumps, and microwave tubes. Ions in the plasma are neutralized by contact with a surface. The time and rate of diffusion of ions to a surface determines the lifetime (decay time) of the plasma after the power to sustain the plasma has been cutoff. The lifetime of the plasma can be extended by using a magnetic field to confine the plasma away from surfaces.

The first “ion guns” were developed by NASA for space propulsion. Ion sources are of two types—an ion “gun,” which has an extraction grid structure and produces an ion beam with a defined ion energy and low beam dispersion, and a “broad-beam” ion source, which produces an ion beam with a large dispersion and a spectrum of ion energies [29]. Research on power generation by nuclear fusion and studies of chemical synthesis in high-density plasmas accelerated the development of plasma confinement and the generation of high-density plasmas in the 1960s. These devices used electric and magnetic fields to confine and focus the plasma. Examples are the work of Gow and Ruby in 1959 [29a]. Also Filipova, Filipova, and Vingredov (1962) and Mather (1964) [30] made “pinched” (focused) plasmas. The



**Figure 4.** Glow discharge tube showing the various named regions of the discharge at low pressure [27].

general concept of containing electrons by the use of electric and magnetic fields, were used in the early 1970 to make “closed-loop” “surface magnetron” sputtering configurations.

The term “plasma,” as we now use it, was proposed by I. Langmuir and L. Tonks of the General Electric Research Laboratories in 1928.

# Some Scientific and Engineering Societies and Publications

The first scientific society in what became the USA was the American Philosophical Society, which was founded in 1743 under the instigation of Benjamin Franklin. The transactions of the American Philosophical Society began publication in 1771. Up to that time most American scientists published in European journals. In 1757 Benjamin Franklin was made a Member of the Royal Society (London) for his work in electricity [18, E-3]. In 1818 Benjamin Silliman, who has been called the “father of American scientific education,” started publishing the American Journal of Science and Arts (E-9).

The American Vacuum Society (AVS) was formed in 1953 to provide a forum for those interested in the scientific and industrial development of vacuum equipment and processes. At first its primary interest was vacuum melting. It was not until about the Fifth Symposium (1957) of the AVS that papers on vacuum coating began to be presented. The AVS began publishing the *Journal of Vacuum Science and Technology* in 1964. In 1974 the AVS Conference on Structure/Property Relationships in Thick Films and Bulk Coatings was held in San Francisco. The meeting was sponsored by the Vacuum Metallurgy Division of the AVS, with Roitan (Ron) Bunshah as the Program Committee Chairman. This conference became an annual event called the International Conference on Metallurgical Coatings (ICMC), and later the ICMCTF when the AVS Thin

Film Division became involved. The proceedings of these meetings are published in *Thin Solid Films* and *Surface and Coating Technology*. In 2001 the American Vacuum Society became AVS—The Science and Technology Society as its interests diverged from the use of the vacuum environment.

The Society of Vacuum Coaters (SVC) was formed in 1957 to provide a forum for developments in the industrial application of vacuum coatings. The papers that were presented at the first few conferences were primarily directed toward the decorative metallizing industry. The proceedings of these conferences are published by the SVC.

The Electrochemical Society was founded in 1902 and has published many articles related to vacuum coating technologies.

The International Union for Vacuum Science, Technique, and Application (IUVSTA), which is a society of organizations, was formed in 1962 upon the dissolution of the International Organization for Vacuum Science and Technology (IOVST), which was an organization that allowed individual and corporate members as well as organizations. In 1980 the IUVSTA organized around divisions, and the Thin Film Division was one of the first. The Thin Film Division developed from the International Thin Film Committee that was formed in 1968 by Klaus Behrndt [31].

# Patents and the U.S. Patent Office

The existence of the U.S. Patent Office was specified by the Continental Congress in the U.S. Constitution. The first U.S. patent (#1) was issued in 1836. Until that time the patent process was very poorly organized. Up until 1880 the USPO asked for a model of the invention. Since 1880 the USPO can, but rarely does, ask for a model—an exception is a patent for a perpetual motion machine.

Patent litigation, with its high cost, has historically been used as a corporate “weapon” to spend (or threaten) people away from the use of patented work. Recently (Nov. 29, 2000) this may have changed due to a decision by the U.S. Court of Appeals in the case of *Festo Corp. v. Shoketsu Kinzoku Kogyo Kabushiki Ltd.* (234 F.3d 558, 56 USPQ2d 1865 [Fed. Cir. 2000]). This decision, which makes

it harder to prove infringement on patented work, is on appeal to the U.S. Supreme Court. Basically this decision means, “Until the Supreme Court issues a decision, inventors will have to do their own extensive research before filing rather than relying on a patent examiner” (“Patent War Pending,” *Amer. Bar Assoc. Journal*, Vol. 87(11), p. 28 [November 2001]).

One of the first major applications of this decision in the vacuum coating field was the dismissal of the Litton Industries patent infringement suit against Honeywell over the IBAD vacuum coating of ring laser gyro (RLG) mirrors. At one time a jury had awarded \$1.2 billion to Litton and that award was under appeal when it was set aside completely by the same court that issued the Festo ruling [32].



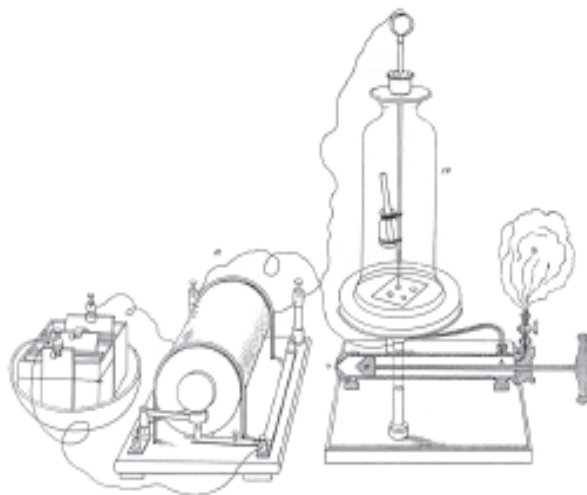
# Deposition Processes

## Sputter Deposition

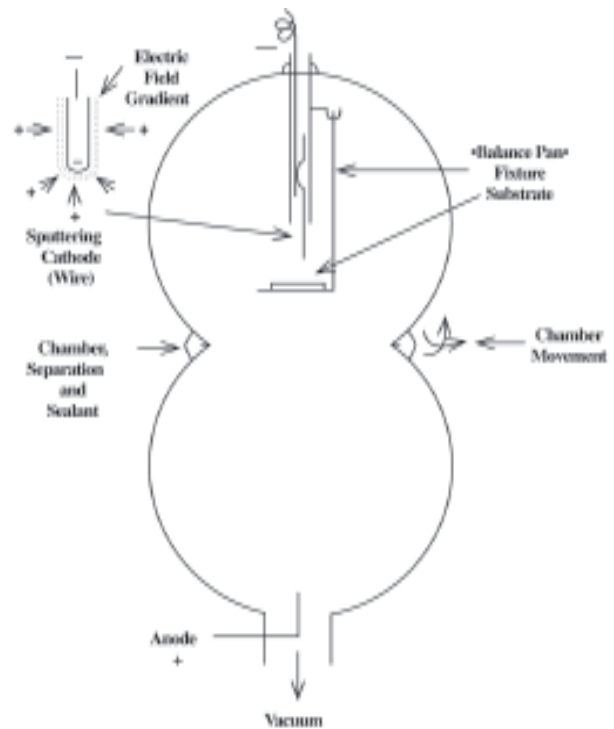
(General References [33, 34])

W.R. Grove was the first to study what came to be known as “sputtering” (and sputter deposition) in 1852 [35], although others had probably previously noted the effect while studying glow discharges. Grove sputtered from the tip of a wire held close to a highly polished silver surface (the type used for a daguerreotype) at a pressure of about 0.5 Torr, as shown in Figure 5. He noted a deposit on the silver surface when it was the anode of the circuit. The deposit had a ring structure. He made no studies on the properties of the deposited films since he was more interested in effects of voltage reversal on the discharge. In 1854 M. Faraday also reported film deposition by sputtering in a glow discharge tube. In 1858 Julius Plücker noted the formation of a platinum film inside of a discharge tube, creating a “beautiful metallic mirror” [36].

In 1877 Prof. A.W. Wright of Yale University published a paper in the *American Journal of Science and Arts* on the use of an “electrical deposition apparatus” to form mirrors and study their properties [37]. There is some confusion as to whether Wright was using sputtering or (gaseous) arcing [38], though it would seem that Wright was sputtering using an arrangement very similar to that of Grove (Figure 5) as shown in Figure 6 [39]. One major difference was that Wright used a swinging balance-pan fixture that allowed him to deposit (“paint”) a



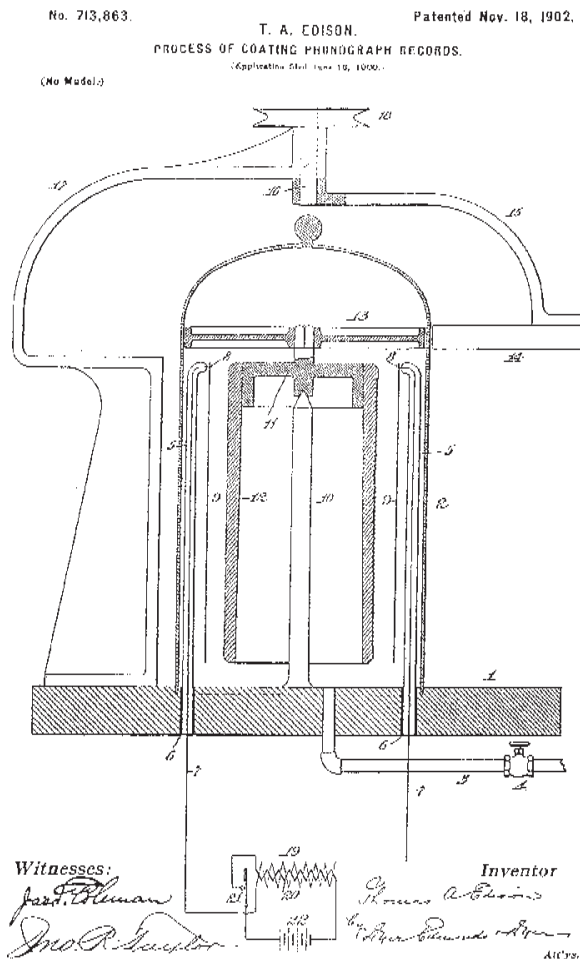
**Figure 5.** Grove’s “sputtering” apparatus (1852) [35].



**Figure 6.** Wright’s “electrical deposition apparatus” based on the description given in his paper (1877) [39].

film over a relatively large area rather than just at a point. Wright was not very specific in his description of the deposition process he used and the U.S. Patent Office used Wright’s work as “prior art” when challenging part of T. Edison’s 1884 patent application (granted 1894) on arc-based “vacuous deposition” [40]. Edison was granted his patent after maintaining that Wright’s process used a “pulsed arc,” whereas his was a “continuous arc.” Edison also described Wright’s work as a “laboratory curiosity.” Professor Wright should be credited with being the first to characterize vacuum deposited films for their specific properties (color and reflectance).

In 1892 Edison used a “vacuous deposit” to “seed coat” his wax cylinder phonograph masters for subsequent electroplating [41]. In his 1902 patent on the subject [42] he indicated that the deposition process (arc deposition) described in his previous patent [40] wasn’t suitable because of uniformity and heating problems (E-10), and in the figure in this patent (Figure 7) he showed a sputtering cathode (although he just called it an electrode) for depositing the metal. This process was used to make



**Figure 7.** Edison's arrangement for coating his wax phonograph masters using a sputtering cathode (9), a high-voltage induction coil, and an external magnetically driven (14) rotating fixture (13) (1902) [42]. Commercially this process was used to form Edison's "gold moulded" cylinder records (1902-1912).

the masters for Edison's "Gold Moulded Records" so-called because of the gold vapor given off by gold electrodes. These 2 minute records were introduced in January 1902. Edison should be credited with the first commercial use of sputter deposition. The "seed coat-electroplating" method is now used for depositing "seed-and-barrier" metallization on high-aspect-ratio surface features in semiconductor processing [42a]. In his 1894 patent Edison also referred to fabricating freestanding foils by stripping the deposit from the chamber walls. Edison also patented the use of the same sputter deposition equipment to form freestanding foils in 1915 [43]. He was interested in making filaments for his light bulbs using this

method of fabricating foils.

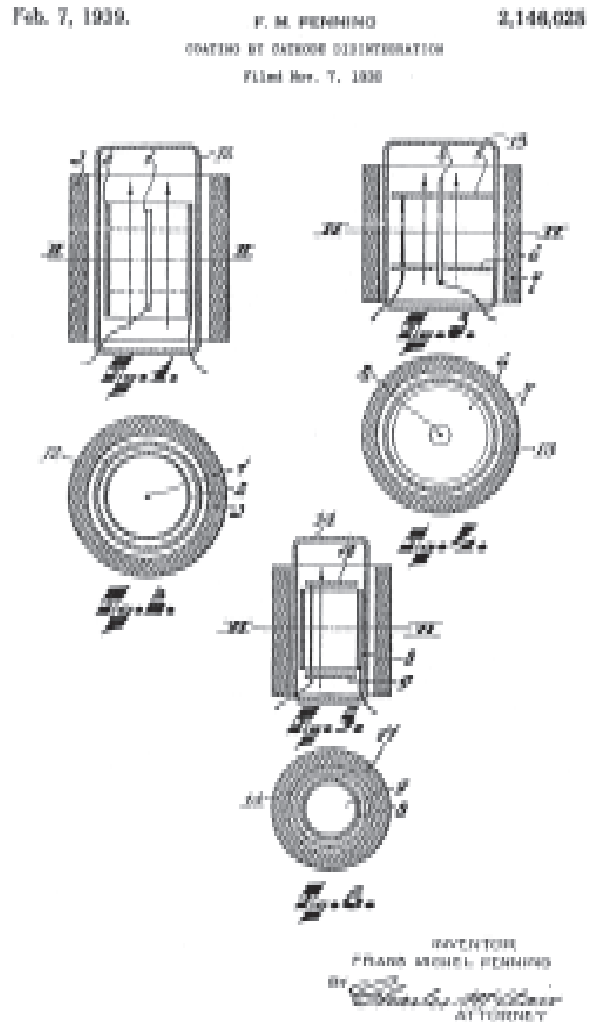
In 1891 W. Crookes published an article on sputtering and deposition, which he called "electrical evaporation," in the *Scientific American Supplement*. That article was probably the first "popular" publication on sputtering [44]. Crookes referred to Wright's work on producing mirrors. After the late 1800s, sputter deposition was used occasionally to make mirrors (other than silvered mirrors that were made by deposition of silver from a chemical solution) [45]. In 1912 Kohlschütter published the first comparison of the sputtering rates (sputtering yields) for various materials [46]. Later Almen and Bruce [47] made extensive studies on the sputtering yields of a number of materials. Collegon, Hicks, and Neokleous noted the variation of yield with initial target bombardment dose [48], a study that seems to rarely be noted in discussions on sputtering. In 1972 Kornelsen made several studies of gas incorporation into ion bombarded surfaces [49]. In 1963 van der Slice discussed the production of high-energy neutrals by charge-exchange processes in a glow discharge. This effect gives bombardment of the cathode, and nearby surfaces, by high-energy neutral species during sputtering [50].

The Bureau of Standards Circular #389 (1931) described the sputter deposition of mirror coatings [51]. The circular has some interesting information on the status of vacuum materials at that time; for example, "For joint grease a special solution of crude rubber and lard was made." In the early 1930s sputter deposition onto rolls of material (web coating or roll coating) was developed. The technique was first used to deposit silver on cloth in about 1931, in Leipzig, Germany. This was quickly followed by the deposition of gold and silver on glassine (waxed paper) by K. Kurz (Germany) and C. Whiley (England) for stamping foils [52]. By the late 1930s many applications of sputtering had been replaced by the thermal evaporation process that was developed in the early to mid-1930s. In 1933 the deposition of compounds by sputtering in a reactive gas ("reactive sputter deposition") was reported by Overbeck [53] for use as optical coating, though it was not widely used. The term "reactive sputtering" was introduced by Veszi in 1953 [54]. Reactive sputter deposition of tantalum nitride for thin film resistors was an early application. Tantalum nitride has about the same resistivity as tantalum and makes a

more stable resistor material [55]. Previously sputter-deposited tantalum films had been electrolytically anodized to form a dielectric oxide, and with a sputter-deposited tantalum counter-electrode a thin film capacitor had been formed [56].

In the late 1930s the “crossed field” (electric and magnetic) electron trap was used to enhance plasmas in sputtering from cylindrical-hollow (inverted) magnetrons (Penning 1936) [57], and cylindrical-post magnetrons by Penning and Mobius in 1940 [58] in some pioneering work on sputtering. In the “Penning discharge” a combination of electric and magnetic fields is used to confine the plasma near the surface of the sputtering target. By having an appropriate magnetic-field configuration, the electrons are trapped near the surface, giving increased ionization and a short distance for the positive ions to be accelerated to the target. This allowed sputtering to be performed at lower pressures and lower voltages, and at higher rates than with non-magnetic DC sputtering. In the post- and hollow-cylinder sources, the magnetic field is parallel to the surface, and the electrons are reflected by “wings” or flanges on the ends. For example, a simple post becomes a “spool” shape. Figure 8 shows some of Penning’s patent figures. Various forms of the Penning magnetrons have been developed since that time. Notable are the works of Penfold and Thornton on post cathode magnetron sputtering in the 1970s [59] and Mattox, Cuthrell, Peeples, and Dreike in the late 1980s [60]. Heisig, Goedicke, and Schiller [61] and Glocker [62] improved on the inverted magnetron configuration.

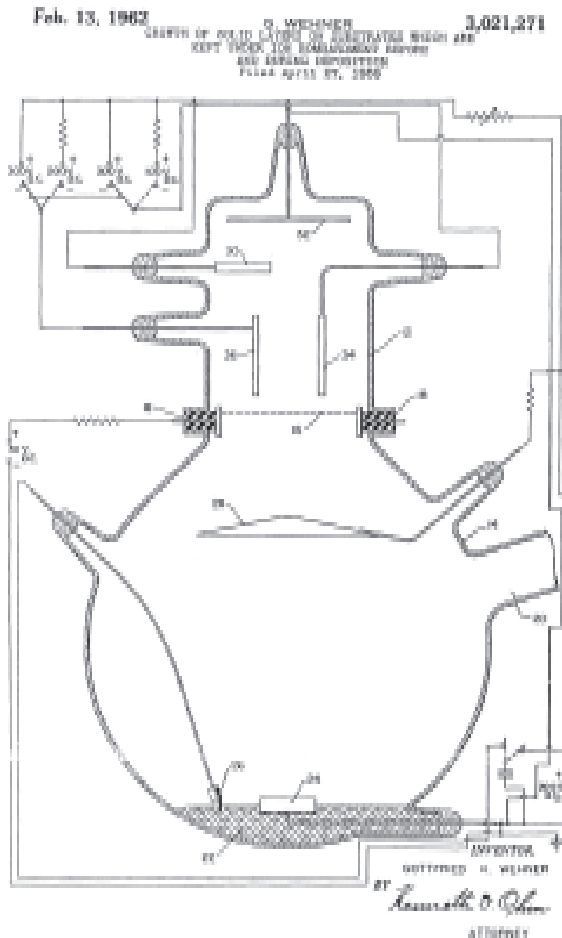
In 1962 Anderson, Mayer, and Wehner reported on the RF sputtering of a film that had been deposited on the inside of a glass window [63]. This cleaning technique was based on a suggestion by Wehner in 1955 [64] and the earlier observations of Robertson and Clapp on the sputtering of the inside of a glass tube when a high-frequency gas discharge was produced [65]. Davidse and Maissel pursued RF sputtering to produce films of dielectric material sputtered from a dielectric target in 1966 [66]. In 1968 Hohenstein used co-sputtering of a glass with RF, and metals (Al, Cu, Ni) with DC, to form cermet resistor films [67]. One aspect of the effectiveness of RF sputtering (>1 MHz) is due to the self-bias that is generated on the surface of the insulator [68]. RF sputter deposition did not have a ma-



**Figure 8.** Penning magnetron configurations from his patent of 1939 [57].

major impact on PVD processing for several reasons. These included the expense of large RF power supplies, and the problems associated with introducing high thermal inputs (i.e., high sputtering rates) into insulator materials without cracking them, since they are generally very brittle and poor thermal conductors. The one material that was widely RF sputtered was  $\text{SiO}_2$ , which has a low coefficient of thermal expansion (CTE). In 1967 Schick RF sputter-deposited a chromium coating on razor blades (Krona-Chrome™ razor) for corrosion protection.

In 1962 Wehner patented the process of deliberate concurrent bombardment “before and during” sputter deposition using a “bias sputter deposition” arrangement and mercury ions [69] to improve the epitaxial growth of silicon films on germanium sub-



**Figure 9.** Wehner’s Hg sputtering apparatus. In the figure, (36) is the sputtering cathode, (34) is the substrate, (22) is a mercury pool cathode, (16) is a graphite grid, (28) and (30) are anodes, and (32) is an “electron repeller” (1959) [69].

strates and to lower the “epitaxial temperature.” Figure 9 shows the apparatus he used. Later this process became known as bias sputtering (bias sputter deposition) and is one form of “ion plating.” Maissel and Schaible used bias sputter deposition to improve the purity of sputter-deposited chromium films [70]. Cooke, Covington, and Libsch used “getter” sputter deposition to improve the purity of sputter-deposited films [71]. In 1966 d’Heurle compared the use of bias sputter deposition, getter sputter deposition, and a combination of the two for preparing pure molybdenum films [72]. He obtained 30, 10, and 7 microhm-cm for the resistivities obtained with the respective techniques.

The triode sputtering configuration uses auxiliary plasma generated in front of the sputtering cath-

ode by a thermoelectron emitting cathode and a magnetically confined plasma [73]. This arrangement was studied as a way to increase the plasma density and thus the sputtering flux that can be attained [74]. This sputtering technique lost its appeal with the development of magnetron sputtering.

In addition to the use of a deliberate substrate bias to accelerate charged particles to the substrate, high-energy particle bombardment can result from a “self-bias” on the substrate or from high-energy reflected neutrals resulting from ions that are de-ionized and reflected from the sputtering cathode [75]. This bombardment can cause “back sputtering” of some of the deposited material [76]. High-energy bombardment of the substrate can also be by negative ions (e.g., O<sup>-</sup>) accelerated away from the sputtering cathode [77]. Bombardment during deposition can also result in gas incorporation into the sputter-deposited material [78]. In non-biased, non-magnetron, planar diode sputter deposition, substrates in the line-of-sight of the cathode can be bombarded by high-energy electrons accelerated away from the cathode [79]. The substrates can be positioned in an “off-axis” geometry to avoid bombardment by positive ions, high-energy neutrals, or electrons [77].

In the early studies it was thought that the bombardment increased the purity of the sputter-deposited material and this was the reason that the deposited material had property values closer to those of the bulk (wrought) material [80]. It was not immediately recognized that the bombardment was causing densification of the deposited material; however, it was recognized that the bombardment affected crystallographic orientation [71, 81] and lowered the “epitaxial temperature” [69]. Bombardment was also shown to affect the film stress [82].

The effects of magnetic field on the trajectories of electrons had been realized even before Penning’s work, and studies continued after Penning published his work on magnetrons [83]. The early Penning discharges used magnetic fields that were parallel to the sputtering target surface. Magnetron sources that use magnetic fields that emerge and reenter a surface (“magnetic tunnels”) in a closed-loop pattern can be used to confine electrons near the surface in a closed pattern (“racetrack”). These confined electrons generate a high density plasma near the surface and were used in developing the “surface mag-

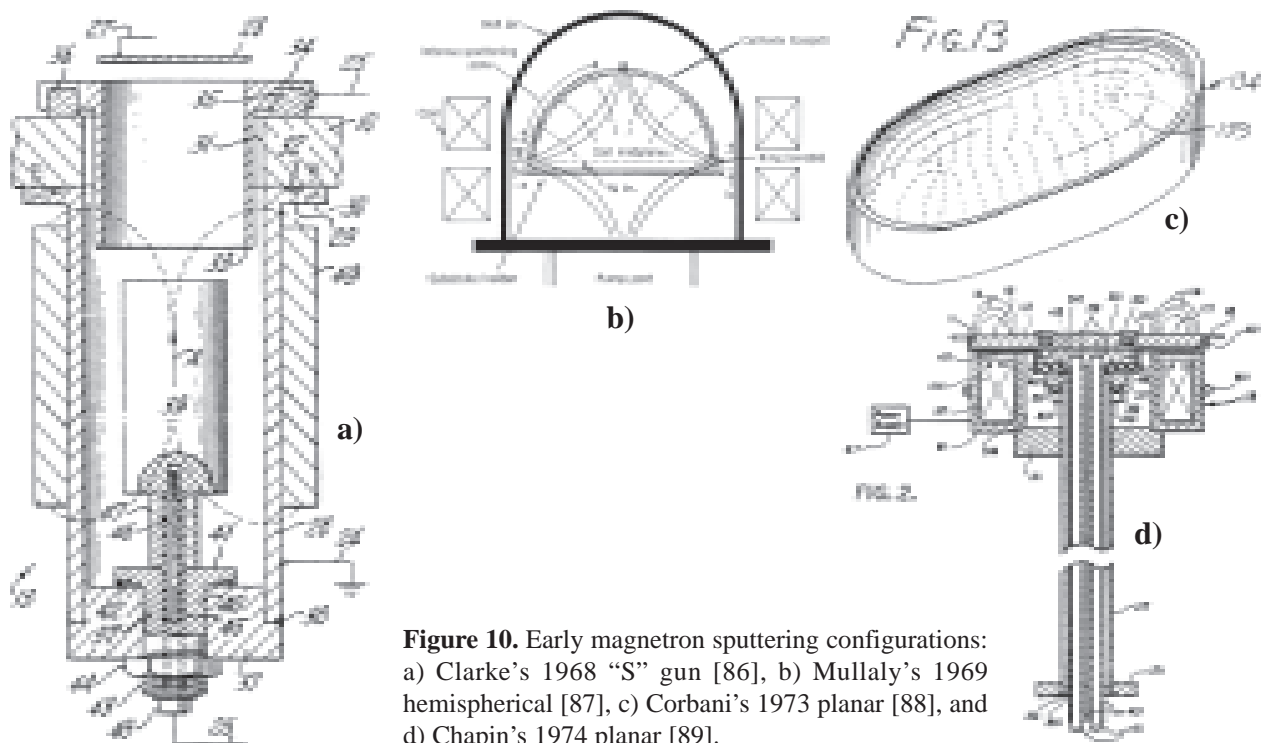
neutron” sputtering configurations in the 1960s and early 1970s. These sources confine the electrons (and plasma) in a closed continuous “racetrack” on the target surface that does not cover the entire cathode surface. In 1962 Knauer patented an emerging and reentering closed-loop magnetic “tunnel” to trap electrons near the surface on both a post and a flat “washer-like” cathode electrode in a sputter-ion pump [84]. In 1963 Knauer and Stack described a closed magnetic tunnel on a post-cathode sputtering source for depositing films [85].

In 1968 Clarke developed a sputtering source using a magnetic tunnel on the inside of a cylindrical surface. This source became known as the “sputter gun” or “S-gun” [86] and is shown in Figure 10a. Mullaly at the Dow Chemical Co., Rocky Flats Plant (E-11), designed a magnetron source using a hemispherical target in 1969 [87]. Figure 10b shows the configuration of his magnetron sputtering source. Various magnetron configurations, including the planar magnetron, were patented by Corbani (patent filed July 1973, granted August 1975) [88]. Figure 10c shows figure 33 of Corbani’s patent depicting a planar magnetron configuration. Chapin also developed a planar magnetron source (patent filed January 1974, granted August 1979) [89] and is credited with being the inventor of the planar magnetron sput-

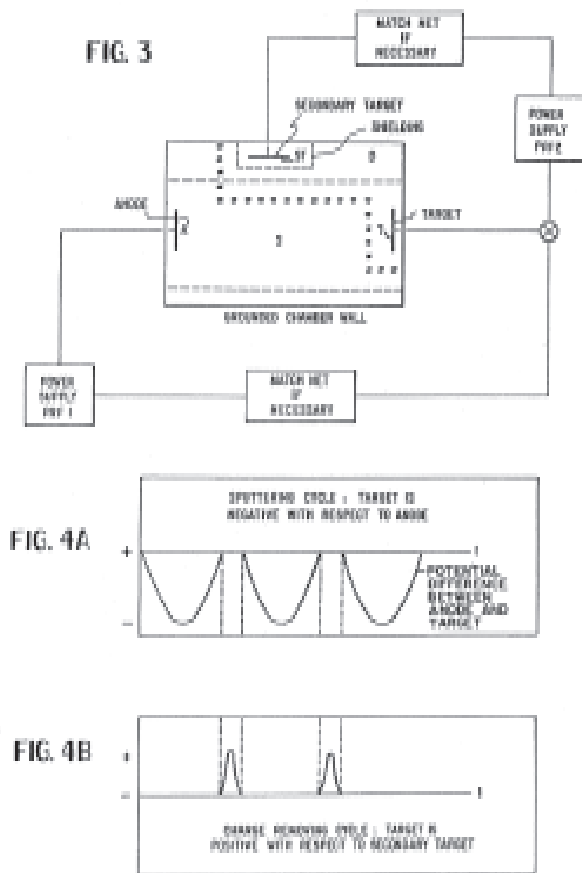
tering source (E-12). Figure 10d shows the magnetron configuration depicted in Chapin’s patent (F12).

Major advantages of these magnetron sputtering sources were that they could provide a long-lived, high-rate, large-area, low-temperature vaporization source that was capable of operating at a lower gas pressure and higher sputtering rates than non-magnetic sputtering sources. With their new performance characteristics, sputtering sources began to replace thermal evaporation in some applications and enabled new applications to develop. In 1975 sputter-deposited chromium was used on plastic auto grills (Chevrolet). In the late 1970s planar magnetron sputter deposition was applied to coating architectural glass. In 1977 Charoudi applied planar magnetrons to coating webs for window mirror applications under contract to the U.S. Department of Energy [90]. The first commercial wide-web sputter coating machine, made by Leybold, began operation at Southwall Corp. in 1980. In the mid-1970s reactively sputter-deposited hard coatings on tools began to be developed [91], and they became commercially available in the early 1980s.

One disadvantage of the early emerging/re-entry magnetic field magnetron sources was that the plasma was confined to a small volume near the surface of the sputtering target and thus was not avail-



**Figure 10.** Early magnetron sputtering configurations: a) Clarke’s 1968 “S” gun [86], b) Mullaly’s 1969 hemispherical [87], c) Corbani’s 1973 planar [88], and d) Chapin’s 1974 planar [89].



**Figure 11.** Circuit (a) and bipolar waveform on the target cathode (b) of Quazi’s dual-cathode (one is “hidden”) pulsed magnetron sputtering system (1986) [99].

able to provide “activation” of reactive gases near the substrate for reactive deposition processes nor ions for the bias sputtering process. This presented problems in the reactive deposition of compound films such as nitrides. However, this disadvantage could be overcome by the use of auxiliary plasma sources. These plasmas could be formed by providing RF as well as DC on the sputtering target or by having auxiliary plasma, often magnetically confined, near the substrate. The use of such auxiliary plasmas was cumbersome, and their use decreased with the advent of the concept of the deliberate “unbalanced” (UB) magnetron source by Windows and Savvides in 1986 [92]. The unbalanced magnetron allows some electrons to escape from the confining EXB field and create plasma in regions away from the target surface. If the escaping magnetic field is linked to other UB magnetron sources (N to S poles), the plasma-generation region can be significantly increased [93]. This technique is widely used today. In a 1972 patent

Davidse, Logan, and Maddocks used magnets above the substrate fixture to draw electrons to the substrate and create a “self-bias” on the substrate using a non-magnetron sputtering cathode [94].

The DC planar sputtering configuration became the most popular magnetron design. A disadvantage of the planar magnetron is that the stationary “racetrack” erosion path gives non-uniform erosion over the target surface, low target-material utilization, and a non-uniform deposition pattern. In order to obtain uniform deposition on a substrate it is typically necessary to fixture and move the substrate in a specific manner or to have a moving magnetic field in the target. Another disadvantage is in reactive sputter deposition of highly insulating materials where the planar magnetron sources can be “poisoned” by the formation of a compound on the surface in areas outside the racetrack. This can cause surface charge buildup and arcing (flashover). To avoid this problem, RF can be superimposed on the DC target power, as was done by Vratny in 1967 on non-magnetron reactive sputter deposition [95], or “pulsed power” can be applied to the target. In 1977 Cormia patented the use of symmetrical or asymmetrical AC power on a single-cathode magnetron at a frequency of 400 Hz to 60 kHz (“mid-frequency”) to create “pulsed power” on the cathode [96]. In this arrangement the target has a positive polarity during a portion of the wave cycle to allow electrons from the plasma to neutralize positive charge buildup on the poisoned surface.

Other target arrangements can be used to provide uniform erosion over the target surface. An example is to move the magnetic field behind the target. A variation on moving the magnetic field is to move the sputtering surface through the magnetic field by designing an elongated racetrack magnetic field formed by magnets inside a hollow cylinder that is rotated, which moves the surface through the field. This “rotatable cylindrical magnetron” was patented by McKelvey in 1982 [97]. The patent was assigned to Shatterproof Glass, but Airco bought the patent when Shatterproof Glass went bankrupt [98]. Major advantages to this design are the good utilization of the sputtering target material and the removal of most of the “poisoned” areas on the target as it rotates. This sputtering target design is in common use today (e.g., BOC’s C-Mag™).

In 1987 Quazi patented sputtering from a single

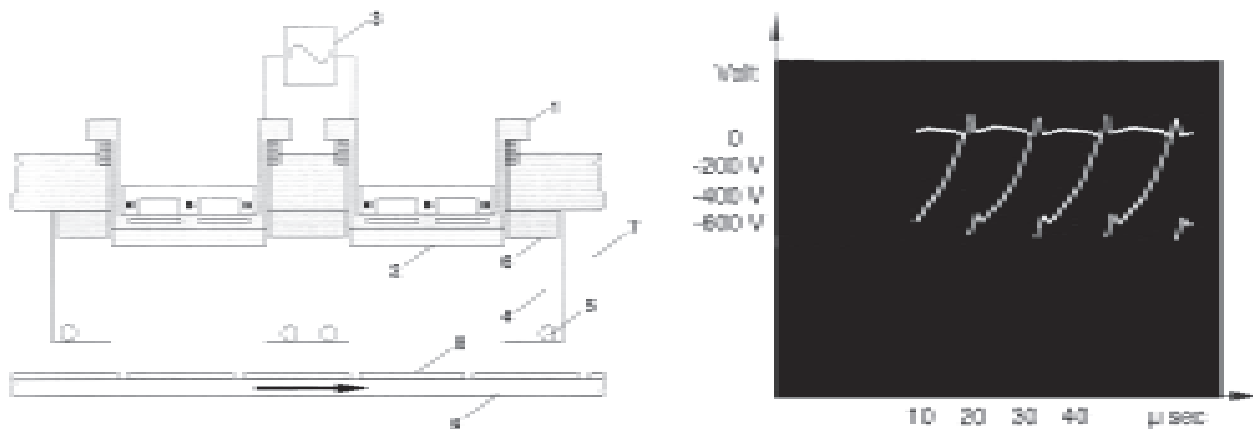
magnetron sputtering target using discrete pulses of bipolar (alternately positive and negative) pulsed power that allowed the sputtering target to discharge any positive-charge buildup on the target (dielectric or “poisoned” metal surface) during the positive portion of the waveform [99]. Figure 11 shows the waveform and system configuration from his patent. This technique is similar to the “counterpulse” used to extinguish arcs in vacuum arc switch technology [100]. This concept was an improvement over the asymmetrical AC power used previously because the waveform could consist of square waves with fast rise and decay times and the pulse lengths could be varied independently. In 1993 Frach, Heisig, Gottfried, and Walde utilized the single-cathode bipolar pulsed power concept to reactively deposit dielectric films using a “hidden anode” to minimize the “disappearing anode” effect [101].

In 1988 Este and Westwood reported the mid-frequency dual-magnetron sputtering arrangement where the two targets were alternately cathodes and anodes [102]. This arrangement prevented the “disappearing anode” effect when reactively depositing highly insulating dielectric films and also prevented charge buildup and arcing (flashover) on the targets. Independently investigators at Kodak Research Laboratories were working on the same dual-cathode design and they used the technique to reactively sputter-deposit insulating films on web material in a roll coater in mid-1989 [103]. Scherer, Schmitt, Latz, and Schanz commercialized the dual planar magnetron configuration in 1992, as shown in Figure 12 [104], and it is in wide use today (e.g., Leybold Technologies’ [later Applied Films’] TwinMag™).

In 2000 Glocker, Lindberg, and Woodard reported using dual inverted cylindrical magnetrons in a similar manner to dual-planar magnetrons [105]. In the early 1990s several companies began making high-power, mid-frequency, bipolar pulsed power supplies. Pulsed sputtering has been found to improve the properties of many films. This may be attributed to periodically higher plasma potentials caused by the pulsing, and thus higher sheath potentials; or it may be due to the high “spike” voltages during ignition, creating pulses of high-energy reflected neutrals that bombard the growing film.

There are many other variations on magnetron sputtering, including a target where the racetrack can either be a sputtering area or a steered arc track [106]. This system is used for the ArcBond™ process (Hauzer Techno Coatings) where the initial layer is deposited by arc vapor deposition, and the coating is built up by sputtering. This is done to increase adhesion and to minimize the number of molten particles (“macros”) formed during arc vapor deposition that create defects in the coating. The magnetron plasma density has been enhanced by the injection of electrons from an auxiliary source such as a hollow cathode into the vicinity of the racetrack [106a].

In 1999 a magnetron system using one magnetron and two non-magnetron electrodes that were alternately at positive and negative potentials was introduced and called the “dual-anode magnetron,” even though there was only one anode (and two cathodes) at a time present in the circuit [107]. The magnetron sputtering cathode is always negative with respect to the active anode and the polarity on the magnetron passes through zero twice on each volt-



**Figure 12.** Scherer et al: a) dual planar cathode arrangement for coating flat glass; b) voltage waveform on a cathode (1992) [104].

age cycle, thus allowing charge buildup on the magnetron target to be neutralized. Anodes 1 and 2 are alternately positive (anodic) and negative with twice the negative voltage that appears on the magnetron. This allows the electrodes that act as anodes to be sputter cleaned on each cycle, thus avoiding the “disappearing anode” effect.

“Directed deposition” is confining the vapor flux to one axis by eliminating off-axis components of the flux. Directed deposition can be attained by collimation of the vaporized material. In sputtering this can be done using a “honeycomb” structure between the source and the substrate [108]. Minimum dispersion can also be attained by using a large separation between the source and substrate (“long-throw”) and a low sputtering pressure [108a]. Another type of directed sputter deposition is the use of a gas flow to direct the sputtered material from the interior of a hollow cathode to the substrate [109]. This has been termed “gas flow sputtering” (GFS).

Generally very little sputtered material is ionized before it is deposited. Some techniques increase the ionization of the atoms by postvaporization ionization using plasmas and magnetic fields to form “film ions” that can be accelerated to the substrate surface when it has a negative bias (i-PVD) [110]. This encourages the depositing material to impinge on the substrate normal to the surface and increase the filling of high-aspect-ratio surface features. This is another type of “directed deposition” process.

Some work has been done using post-ionized sputtered species (“self-ions”) to form the plasma used for sputtering (“self-sputtering”). Both a molten (thermal evaporating) cathode [111] and a solid magnetron target [112] with no gaseous species present have been used.

The technique of ion beam sputtering (and ion beam sputter deposition) was first used in the late 1960s [113]. Ion beam sources were developed from the ion propulsion engines developed by NASA in the 1950s [29]. There are two types of ion sources—an ion “gun” that has a defined ion energy and low beam dispersion, and a “broad-beam” that has a large dispersion and a spectrum of energies [114]. Two ion beams may be used—one to sputter the material and the other to bombard the depositing material. The use of ion beams to bombard the depositing material is called “ion beam assisted deposition” (IBAD). In this process, which will be discussed

under ion plating, the ion beam provides the bombardment of the depositing material from any vaporization source. The bombarding ions can be either an inert species or a reactive gas [115]. Ion beam sputter deposition is not widely used; however, ion beam “milling” (etching) to form surface features or ion beam “polishing” to smooth surfaces are used in some cases. One of the first significant commercial uses of ion beam reactive sputter deposition was the coating of ring laser gyro (RLG) mirrors [116]. The RLG has no moving parts and relies on extremely high-quality multilayer coated mirrors.

The scanning electron microscope (SEM) was first available in 1965 from Cambridge Scientific Instruments. The SEM provided an analytical tool that allowed studies on the growth morphology of sputter-deposited materials and the effects of concurrent bombardment on the growth [117]. In 1977 Thornton published a “structure-zone model,” (SZM) patterned after the M-D diagram for evaporation-deposited coatings [118], which came to be known as the “Thornton Diagram” [119]. The Thornton Diagram illustrates the relationship between the deposit morphology, the deposition temperature, and the pressure in the sputtering chamber. Of course the sputtering pressure determines the flux and energy of the reflected high-energy neutrals from the sputtering cathode, so the diagram reflects the degree that the depositing material is bombarded by energetic particles during deposition. In 1984 Messier, Giri, and Roy further refined the structure zone model [120].

The columnar growth found in thick vacuum deposits is dependent upon the angle-of-incidence of the depositing flux, the surface roughness, the deposition temperature, and the amount of concurrent energetic particle bombardment [121]. By using a low angle-of-incidence and varying the angle-of-incidence (GLAD—glancing angle deposition), “sculpted films” can be grown [122].

Also in the 1970s there were a number of studies on the effect of processing variables, particularly concurrent bombardment, on the intrinsic stress of sputter-deposited films [123]. In 1988 periodic variation of pressure (“pressure cycling”) was used by Mattox, Cuthrell, Peebles, and Dreike to control the total stress in thick sputter-deposited layers of molybdenum by depositing alternate layers having compressive and tensile stress. This was accomplished



by periodically changing the gas pressure, and thus the flux and energy of bombardment by reflected high-energy neutrals [124].

In 1984 Sproul and Tomashek patented a mass spectrometric-feedback method of controlling the partial pressure of reactive gases in reactive sputter deposition [125]. Optical emission spectroscopy (OES) is also used to control the partial pressures of reactive gases in reactive sputter deposition [126]. OES developed from the “end-point” detection used in plasma etching [127].

With the advent of magnetron sputtering, controlled reactive sputter deposition, and the use of controlled concurrent ion bombardment as a process parameter, sputter deposition rapidly developed after the mid-1970s. Applications of sputter deposition have rapidly increased since that time. Today applications of sputter deposition range from depositing semiconductor device metallization, to coating architectural window glass for energy conservation, to coating tool bits, to coating plumbing fixtures for decorative purposes, to coating web material with transparent vapor barriers for packaging. In some cases sputter deposition has replaced electroplating or has displaced thermal evaporation PVD, but generally it has generated new applications and markets.

The term “sputtering” is probably an outgrowth of the controversy over whether this type of vaporization was thermal evaporation (“electrical evaporation”) [44] or whether it was due to a non-thermal (momentum transfer) process [128]. Initially the English term “spluttering” (E-13) was used, which became sputtering several years later. To quote G.K. Wehner [129]:

“Sometimes the question is raised as to who introduced the word ‘sputtering.’ A literature search shows that Sir J.J. Thompson [170] used the word ‘spluttering’ but that I. Langmuir and K.H. Kingdon eliminated the ‘l’ in their publications in the years 1920 to 1923. In 1923, the Research Staff of the General Electric Co., London [171] still used only the term ‘cathode disintegration.’ Kay [172] following a suggestion by Guenterschulze [173], tried without much success to introduce the term ‘impact evaporation.’”

Unfortunately Wehner has the wrong date (1921) in his reference to Sir J.J. Thompson’s book. The

correct date for that publication is 1913. The manner in which Thompson used the term spluttering (e.g., “A well-known instance of this is the ‘spluttering’ of the cathode in a vacuum tube; —”) [130] would seem to indicate that this was still not the first use of the term.

By 1930 the term “sputtering” was being used for the deposition process (e.g., “sputtered films”) as well as the vaporization process. This at times leads to confusion. A more proper term for the deposition process would be “deposition by sputtering” or “sputter deposition.”

## Thermal Evaporation

(General References [2, 131-134])

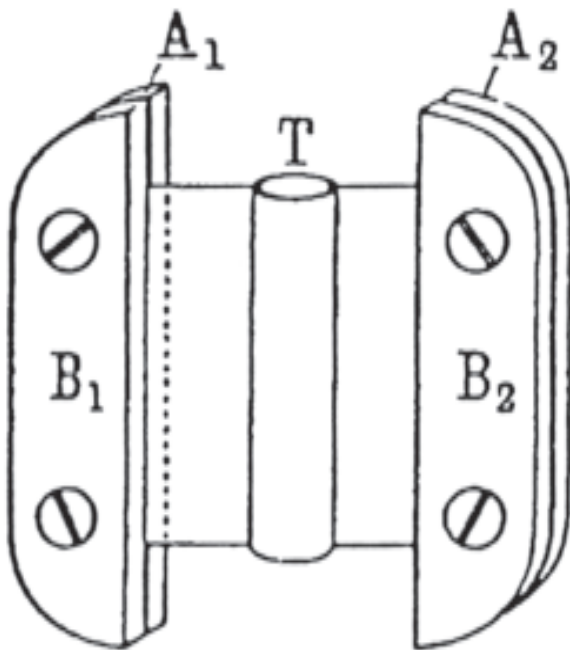
Thermal evaporation is the vaporization of a material by heating to a temperature such that the vapor pressure becomes appreciable and atoms or molecules are lost from the surface in a vacuum. Vaporization may be from a liquid surface (i.e., above the melting point) or from a solid surface (i.e., sublimates). The author has arbitrarily defined  $10^{-2}$  Torr as the equilibrium vapor pressure above which the free-surface vaporization in PVD-type vacuums is enough to allow vacuum deposition to occur at a reasonable rate [134]. If the material is solid at that temperature the material is said to sublime (e.g., Cr, Mg) and, if molten, is said to evaporate (e.g., Al, Pb, Sn, Mo, W). A few materials have a vapor pressure such that they can either be sublimed or evaporated at temperatures near their melting point (e.g., Ti). Some compound materials sublime and some evaporate.

Thermal evaporation studies in vacuum began in the late 1800s with the work of H. Hertz [135] and S. Stefan [136], who determined equilibrium vapor pressures—but they did not use the vapor to form films. Knudsen proposed “Knudsen’s Cosine Law of Distribution” for vapor from a point source in 1909. In 1915 Knudsen refined the free-surface vaporization rate as a function of equilibrium vapor pressures and ambient pressure [137], and the resulting equation is known as the Hertz-Knudsen equation for free-surface vaporization. Honig summarized the equilibrium vapor pressure data in 1957 [138].

Thermal evaporation by “heating to incandescence” and film deposition was covered by Edison’s 1894 patent (applied for in 1884) [40]. Edison did not mention evaporation from a molten material in his

patent and many materials will not vaporize at an appreciable rate until they are at or above their melting temperature. Edison did not use the process in any application, presumably because radiant heating from the source was detrimental to the vacuum materials available at that time. In 1887 Nahrwold reported the formation of films of platinum by sublimation in vacuum [139], and he is sometimes credited with the first use of thermal vaporization to form films in a vacuum. In 1917 Stuhlmann reported depositing silver from an incandescent silver wire passed over a surface in vacuum to form a mirror [140]. In 1907 Soddy proposed the vaporization of calcium onto a surface as a method of reducing the residual pressure in a sealed tube (“gettering”) [141]. This would have been the first “reactive deposition” process.

In 1912 von Pohl and Pringsheim reported forming films by evaporating materials in a vacuum from a magnesia crucible that was heated by a resistively heated foil surrounding the crucible, as shown in Figure 13 [142, E-14]. They are sometimes credited with the first deposition by thermal evaporation in vacuum. Langmuir studied the vaporization rate of materials in vacuum in 1913 [143] and reported forming films. In 1931 (possibly 1928, see E-15) Ritschl reported thermal evaporation of silver from

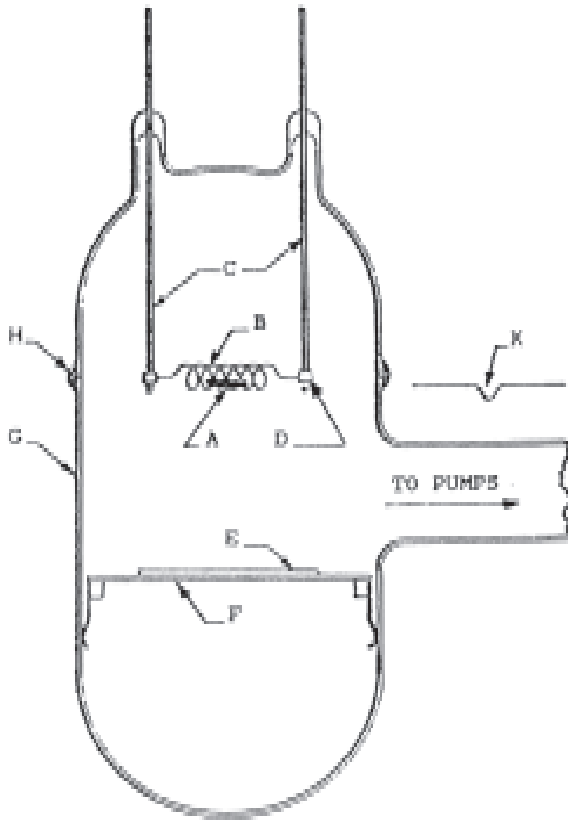


**Figure 13.** von Pohl and Pringsheim crucible evaporation source using a heated foil held in clamps (1912) [142, E-14].

a tungsten wire basket to form half-silvered mirrors [144]. Ritschl is often credited with being the first to use evaporation from a filament to form a film in vacuum. Cartwright and Strong reported evaporating metals from a tungsten wire basket in 1931 [145], but the technique was not successful for evaporating aluminum because molten aluminum wets and alloys with the tungsten wire, which causes it to “burn out” when there is a relatively large volume of molten aluminum. Aluminum was successfully evaporated by Strong in 1933 from heavy-gauge tungsten wire that was wetted by the molten aluminum [146]. John Strong began work on evaporated films in 1930 when he was trying to form reflective film onto alkali halide prisms for use in IR spectrometry at the University of Michigan.

In 1931 the Bureau of Standards in its circular on making mirrors [51] discussed the “common” technique of sputtering and “the deposition of metals by evaporation.” In the description the Bureau stated, “This method of deposition (‘thermal evaporation’) has not been widely tested, and its possibilities are therefore little known, but it would seem to be especially valuable for small work where films of any readily volatile substance are required.” Figure 14 (figure 4 in the circular) illustrates evaporation of material from an open wire coil in a glass chamber that has to be “cracked” in order to remove the deposited film. The chamber could be re-used by joining the sections with sealing wax. In the circular, W.W. Nicholas was named as the investigator at the Bureau of Standards and refers to other investigators (J. E. Henderson and A.H. Pfund) who were investigating thermal evaporation from filaments as a means of depositing films in vacuum. In that circular it was noted that J.E. Henderson was evaporating nickel that had been electroplated onto a tungsten wire to provide an “especially uniform deposit.” Strong described the same technique in 1932 [147]. Edison, in his 1894 patent, discussed depositing (e.g., electroplating) a material on carbon, then heating the carbon to vaporize the material in vacuum [40].

J. Strong of Johns Hopkins University and later the California Institute of Technology (1947), where he worked on metallizing the 200" Palomar telescope, did a great deal of development using thermal evaporation of aluminum from multiple tungsten filaments for coating astronomical mirrors [148] (E-16, E-16a). Strong, with the help of designer



**Figure 14.** Glass vacuum chamber used for filament thermal evaporation. The chamber could be “cracked” (at H) and reused using sealing wax (1931) [51].

Bruce Rule, aluminum coated the 200” Palomar (“Hale”) astronomical telescope mirror in 1947 (the telescope mirror was started before WWII) [149] using multiple (350) filaments and a 19 foot diameter vacuum chamber [150]. In 1937 D. Wright of GE began development of the sealed-beam headlight, which first appeared on autos in 1940 [151] (E-17).

In 1817 Fraunhofer noted that optical lenses improved with age due to the formation of a surface film. Following this discovery many investigators artificially aged lenses to form antireflection (AR) coatings. For example, in 1904 H.D. Taylor patented (British) an acid treatment of a glass surface in order to lower the index of refraction and the reflectivity by producing a porous surface. In 1933 A.H. Pfund vacuum-deposited the first single-layer (AR) coating (ZnS) while reporting on making beam-splitters [152] and Bauer mentioned AR coatings in his work on the properties of alkali halides [153]. In 1935, based on Bauer’s observation, A. Smakula of the Zeiss Company developed and patented AR coat-

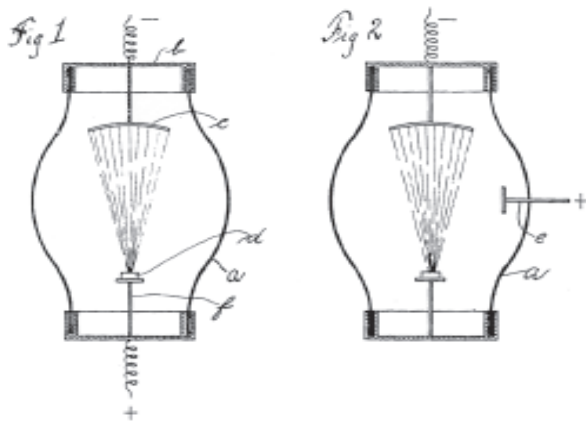
ings on camera lenses [154]. The patent was immediately classified as a military secret and not revealed until 1940 (E-18). In 1936 Strong reported depositing AR coatings on glass [155]. In 1939 Cartwright and Turner deposited the first two-layer AR coatings [156]. Monarch Culter seems to be the first person to calculate the effect of multilayer coatings on optical properties. He did this as a Master’s Degree thesis project [157]. This work preceded the work of Cartwright and Turner and, though unpublished, possibly inspired their efforts. One of the first major uses of coated lenses was on the projection lenses for the movie *Gone With the Wind*, which opened in December 1939 (S. Peterson of Bausch & Lomb Optical Co.) [158]. The AR coated lenses gained importance in WWII for their light-gathering ability in such instruments as rangefinders and the Norden Bombsight [159]. During WWII, baking of  $MgF_2$  films to increase their durability was developed by D.A. Lyon of the U.S. Naval Gun Factory [160]. The baking step required that the lens makers coat the lens elements prior to assembly into compound lenses. In 1943 (Oct.) the U.S. Army (The Optical Instrument Committee, Frankfort Arsenal) sponsored a conference on “Application of Metallic Fluoride Reflection Reducing Films to Optical Elements.” The conference had about 132 attendees. The proceedings of this conference (112 pages) is probably the first extensive publication on coating optical elements [161]. O.S. Heavens published his classic work, *Optical Properties of Thin Solid Films* (Butterworth Scientific Publications), in 1955.

The Germans deposited  $CaF_2$  and  $MgF_2$  AR coatings during WWII [162]. Plasma cleaning of glass surfaces is reported to have been used by Bauer at the Zeiss Company in 1934 [162]. The Schott Company (Germany) was also reported to have deposited three-layer AR coatings by flame-pyrolysis CVD during WWII [162].

Vacuum evaporation of metals (Cd and Zn) on paper web for paper-foil capacitors was begun in about 1935 by R. Bosch of the Bosch Company of Germany, who discovered that there was a “self-healing” effect when there was an arc between the low-melting-point thin film electrode materials [163]. By 1937 the Germans had demonstrated that the use of a “nucleating layer” increased the adhesion of zinc to a paper surface [164]. The effect of a nucleating layer on film formation had been noted by Langmuir

as early as 1917 [165]. In 1958 the U.S. military formally approved the use of “vacuum cadmium plating” (VacCad) for application as corrosion protection on high-strength steel to avoid the hydrogen embrittlement associated with electroplated cadmium [166]. In recent years PVD processing has been used to replace electroplating in a number of applications to avoid the water pollution associated with electroplating.

In 1907 von Pirani patented the vacuum melting of refractory materials using focused cathode rays (electrons) from a glow discharge [167]. (W. Crookes noted that he could fuse the platinum anode in his gas discharge tubes in 1879.) In his patent von Pirani did not mention film formation, but he may have deposited films during the vacuum melting operation at low gas pressures. Figure 15 shows the figure from his patent that illustrates focused electron beam melting. In 1933 H.M. O’Brian and H.W.B. Skinner utilized accelerated electrons to heat a graphite crucible and evaporate materials [168]. Subsequently a number of non-focused (“work accelerated”) electron bombardment evaporation source designs were developed. In 1951 Holland patented the use of accelerated electrons to melt and evaporate the tip of a wire (“pendant drop”), which involved no filament or crucible [169]. In 1949 Pierce described the “long-focus” electron beam gun for melting and evaporation in vacuum [170]. The long-focus gun suffers from shorting due to the deposition of evaporated material on the filament insulators that are in line-of-sight of the evaporating material. Deposition rates as high as 50  $\mu\text{m/s}$  have been reported using e-beam evaporation [171].



**Figure 15.** Vacuum melting using focused “cathode rays” (Pirani, 1907) [167].

To avoid exposure of the filament to the vapor flux, bent-beam electron evaporators were developed [172]. In 1968 Hanks filed a patent on a 270° bent-beam electron beam evaporation source [173] that has become the most widely used design. Rastering the electron beam allows the energy of the electron beam to be distributed over the surface. In 1978 H.R. Smith described a unique horizontally emitting electron beam (EB) vapor source [174]. The source used a rotating crucible to retain the molten material, and its function was to coat large vertical glass plates. As early as 1970 Kurz was using an electron-beam system to evaporate gold for web coating [52]. In electron beam evaporation a high negative “self-bias” can be generated on the surface of an insulating material or on an electrically isolated fixture. This bias can result in high-energy ion bombardment of the self-biased surface [175].

A number of thermoelectron-emitter e-beam source designs followed, including rod-fed sources and “multi-pocket” sources. The high voltage on the filament prevented the source from being used in a plasma where ions accelerated to the cathodic filament; this caused rapid sputter-erosion of the filament. In 1971 Chambers and Carmichael [176] avoided that problem by having the beam pass through a small hole in a thin sheet in a section of a plate that separated the deposition chamber from the chamber where the filament was located. This allowed a plasma to be formed in the deposition chamber while the filament chamber was kept under a good vacuum. The plasma in the deposition chamber allowed ion bombardment of the depositing film material as well as “activation” of reactive gas.

The use of a hollow cathode electron emitter for e-beam evaporation was reported by J.R. Morley and H. Smith in 1972 [177]. In 1951 Picard and Joy described the use of evaporation of materials from an RF-heated crucible [178]. In 1966 Ames, Kaplan, and Roland reported the development of an electrically conductive  $\text{TiB}_2/\text{BN}$  composite ceramic (Union Carbide Co., UCAR™) crucible material that was compatible with molten aluminum [179].

Directed deposition is confining the vapor flux to one axis by eliminating off-axis components of the flux. Directed deposition can be attained by collimation of the vaporized material. In evaporation this was done by Hibi (1952), who positioned a tube between the source and the substrate [180]. Colli-

mation was also attained by H. Fuchs and H. Gleiter in their studies of the effects of atom velocity on film formation using a rotating, spiral-groove, velocity selector [181]. In 1983 Ney described a source that emitted a gold atom beam with a  $2^\circ$  divergence [182]. Recently “directed deposition” has been obtained using a flux of thermal evaporated material projected into a directed gas flow [183].

When thermally evaporating alloys, the material is vaporized with a composition in accordance to Raoult’s Law (1887) [184]. This means that the deposited film will have a continuously varying composition unless very strict conditions are met as to the volume of the molten pool using a replenishing source [185]. One way of avoiding the problem is by “flash evaporation” of small volumes of material. In 1948 L. Harris and B.M. Siegel reported flash evaporation by dropping small amounts of material on a very hot surface so that all of the material was vaporized before the next material arrived on the hot surface [186]. In 1964 Smith and Hunt described a method for depositing continuous strips of alloy foils by evaporation [187]. Other free-standing thin film structures are also deposited, such as beryllium X-ray windows and nuclear targets [188].

Evaporation or sublimation of compounds can result in extensive molecular disassociation. Some compound materials can be vaporized without significant disassociation. These include many halides, sulfides, and selenides, as well as a few oxides (such as SiO). Many of these compound materials were used in early optical coating “stacks,” and for many years thermal evaporation was almost the only PVD technique for depositing optical coatings. During sublimation of these materials, some of the material comes off as “clusters” of atoms (e.g., Se) or molecules (e.g., SiO). “Baffle” or “optically dense” sources were developed that required vaporization from several hot surfaces or deflection of the particles before the vapor could leave the source [189]. This generated a more uniform molecular vapor. Baffle sources can also be used to evaporate material in a downward direction. Sublimed SiO coatings were used on mirrors for abrasion resistance by Heraeus (Germany) before WWII [190]. Following the deposition they were heated in air to increase oxidation. In 1950 G. Hass evaporated lower-oxide materials in an oxygen atmosphere in order to increase the state of oxidation [191].

In 1952 Aüwarter patented the evaporation of metals in a reactive gas to form films of compound materials [192]. In 1960 Aüwarter proposed that evaporation of a material through a plasma containing a reactive species be used to form a film of compound material [193]. Many investigators studied these methods of depositing transparent optical coatings. In 1964 Cox, G. Hass, and Ramsey reported their use of “reactive evaporation” for coating surfaces on satellites [194]. In 1972 R.F. Bunshah introduced the term “activated reactive evaporation” (ARE) for evaporation into a reactive plasma to form a coating of a compound material [195].

“Gas evaporation” is a term used for evaporation of material in a gas pressure high enough to result in multi-body collisions and gas phase nucleation. This results in the formation of fine particles that are then deposited [196]. A.H. Pfund studied the optical properties of fine particles in 1933 [197]. It is interesting to note that during gas evaporation performed in a plasma, the particles become negatively charged and remain suspended in the plasma—since all the surfaces in contact with the plasma are negative with respect to the plasma. Electrically charged gas-phase-nucleated particles can be accelerated to high kinetic energies in an electric field. This is the basis for the “ionized cluster beam” (ICB) deposition process introduced by Takagi et al in 1974 that used a thermal-evaporation, nozzle-expansion type source [198] (E-19). Gas phase nucleation (gas-condensation) has also been used to form neutral and ionized ultrafine particles (“nanoparticles”) using a sputtering source and a plasma condensation chamber [199].

In 1965 Smith and Turner described the use of a ruby laser to vaporize (flash evaporate) material from a surface and deposit a film [200]. This process is sometimes called laser ablation and the deposition process, laser ablation deposition (LAD) or pulsed laser deposition (PLD) [201]. PLD and reactive PLD have found application in the deposition of complex materials such as superconductive [202] and ferroelectric thin films.

Epitaxy (“oriented overgrowth”), where the crystalline orientation of the deposited film is influenced by the crystalline orientation of the substrate material, has been recognized since the 1920s and was reviewed by Pashley in 1956 [203]. Molecular beam epitaxy (MBE) is an advanced, sophisticated vacuum

deposition process that uses beams of atoms or molecules of the material to be deposited to form large-area single crystal films. MBE was first proposed by Günther in 1958 [204] but the first successful deposition had to await the development of ultrahigh vacuum technology. In 1968 Davey and Pankey successfully grew epitaxial GaAs by the MBE process [205]. The modern use of MBE in semiconductor device fabrication began with Cho and Arthur in 1975 with the growth of III-V semiconductor materials [206]. The use of organometallic precursor vapors as a source of the depositing material in epitaxial growth is called “organometallic vapor phase epitaxy” (OMVPE) [207]. Transmission electron microscopy (TEM) (Max Knott and Ernst Ruska—1931) and electron diffraction techniques allow the determination of crystalline perfection and crystalline defects. High-resolution TEM was perfected in 1939 by Bodo von Borries and Ernst Ruska (Siemens Super Microscope). TEM is one part of the analysis technique called analytical electron microscopy (AEM).

Before the end of WWII, the thickness of deposited optical coatings was determined by visually observing the transmittance or reflectance during deposition. Around 1945 optical instrumentation was developed for monitoring the thickness during deposition [208]. In 1959 Steckelmacher, Parisot, Holland, and Putner described a practical optical monitor for use in controlling the film thicknesses in multilayer interference coatings [209]. In the late 1950s quartz crystal monitors (QCMs) began to be developed for determining the mass of deposited material *in situ* [210]. After WWII the development of laser technology, particularly high-energy lasers, required very high-quality optical and reflecting coatings [211].

Thickness uniformity is often a concern in vacuum coating. Thickness uniformity is often determined by the fixture configuration and movement. A concern in reactive deposition is the availability, uniformity, and degree of “activation” of the reactive species. Therefore the geometry of the manifold used for introducing the reactive gases is an important design. Fixture configuration and movement can also be used to enhance reaction uniformity.

In much of the early work obtaining a uniform coating over a large stationary area was done using multiple sources [131]. Controlled thickness distributions using moving shutters were also done [131

p. 180]. Later moving shutters were used to get improved thickness uniformity over large areas from a point source [212]. Shaped evaporation sources were also developed to improve thickness uniformity.

Electron beam polymerization was observed in the early electron microscopes when hydrocarbon pump oil vapors were polymerized on the specimen by the electron beam. In 1958 Buck and Shoulders proposed the use of electron beam polymerized siloxane vapors as a resist in forming miniature printed circuits [213]. Electron beams and ultraviolet (UV) radiation are used to “cure” vapor-deposited organic and inorganic fluid films in vacuum. In the polymer-multi-layer (PML) process the degassed monomer is sprayed as a fine mist on the moving part, usually in a web coating arrangement [214].

In the “parylene process” a vapor of organic dimers is polymerized in a hot zone then deposited on a cold surface [215]. The process was initially reported by M.M. Swarc in 1947. The presently used process was developed by W.F. Gorman at Union Carbide beginning in 1952 and was commercialized in 1965 using di-p-xylyene (DXP) at pressures near 1 Torr.

## Arc Vapor Deposition

(General References [15, 216-218])

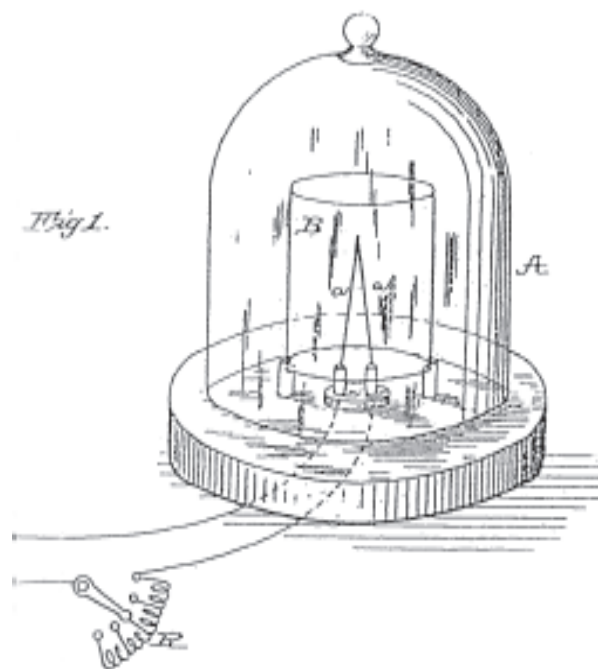
Discussion of arcs and arc vapor deposition is somewhat difficult due to the varying definitions of an arc. These definitions vary from “a low-voltage, high-current discharge between electrodes,” to “a discharge in a gas or vapor that has a voltage drop at the cathode of the order of the minimum ionizing or minimum exciting potential of the gas or vapor” (K.T. Compton) [216], to “a self-sustained discharge capable of supporting large currents by providing its own mechanism of electron emission from the negative electrode” (J.M. Lafferty) [15]. The history of the study of arcs, sparks (low total-power arcs), and “flashovers” (short-duration arcs and sparks over the surface of an insulator) is quite old, with studies of the chemistry in spark plasmas predating the invention of the voltaic battery. With the invention of the voltaic battery (Volta, 1800), high-current, low-voltage electric power was available and the study of chemistry in arcs ensued [24]. In 1839 Robert Hare described the first arc furnace that was used for melting materials in controlled atmospheres [219], and in 1903 Werner von Bolton used an arc in

vacuum to melt materials [219].

Michael Faraday might be credited with vapor depositing the first material that was studied for its properties (optical) in 1857 [220]. The films were probably deposited by arc (spark) vaporization (“Gold wire deflagrated by explosions of a Lyden battery—.”), and “exploding wire” (“When gold is deflagrated by the voltaic battery near glass—.”). Faraday deposited the films in different gaseous environments (oxygen, hydrogen) that were probably produced by vacuum pumping and flushing. Thus he probably did some depositions in a vacuum (sub-atmospheric) environment. The work was a minor part of Faraday’s studies on the optical properties of fine particles (“colloidal”) of gold, mostly prepared from chemical solutions. The technique was not pursued but was referred to by A.W. Wright in his 1877 paper on “electrical deposition” [37].

In non-self-sustaining arcs, the electron emission from the cathode may be from thermal heating (thermoelectron emission) [221] or from hollow cathode emission [222]. In arc vapor deposition for PVD, vaporization can either be from a molten (usually) anode (“anodic arc”) or from a molten spot on a solid (usually) cathode (“cathodic arc”). An advantage of both types of arcs is the high percentage of ionization of the material vaporized from the electrodes, as well as ionization of the gases that may be present. The ions of the vaporized material (“film-ions” or “self-ions”) may be accelerated to high kinetic energies. This notable property is the primary reason that the author has treated arc vapor deposition separately from thermal evaporation.

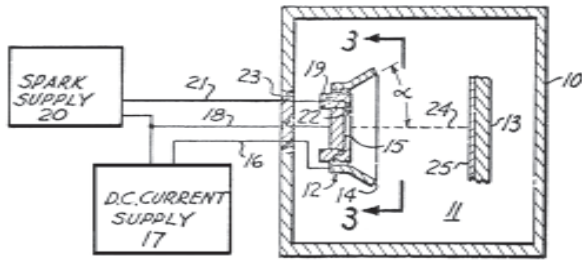
In 1884 Edison filed a patent entitled “Art of Plating One Material on Another” that included arc vaporization as a deposition technique [40]. Figure 16 shows the figure from his patent that was related to arc vaporization. This aspect of the patent was challenged based on Wright’s work, as was discussed previously. Edison was finally granted the patent in 1894 after modifying his claim to call his arc a “continuous arc” and that of Wright a “pulsed arc” and a “laboratory curiosity.” Edison attempted to use arc vaporization to deposit the “seed” layers on his wax phonograph masters. In a 1902 patent entitled “Process of Coating Phonograph Records,” he stated, “I find that in practice that the employment of an electric arc for vaporizing the metal, as suggested in my patent, to be open to the objection of being slow,



**Figure 16.** Edison’s arc vapor deposition apparatus as shown in his 1894 (filed 1884) patent [40].

and unless the process is carried out with great care the deposit is not entirely uniform, while there is danger of injuring the very delicate phonographic record surface, particularly from the heat of the arc.” Instead he used a configuration that was obviously sputtering, as shown in Figure 7 [42]. Several vacuum arc vapor sources (as well as others) were developed during WWII to form ion beams for use in the magnetic isotope separation program [223]. These ion beams formed deposits but they were not studied for their properties. Arc vapor deposition activities then died down until well after WWII.

In 1954 Bradley deposited carbon films using a pointed rod-type carbon arc vapor source [224]. In 1962 Lucas, Vail, Stewart, and Owens deposited refractory metal films [225] by arc vapor deposition. In 1965 Kikushi, Nagakura, Ohmura, and Oketani investigated the properties of a number of metal films deposited from a vacuum arc [226]. In 1965 Wolter investigated the properties of Ag, Cu, and Cr films deposited by “anodic” arc vapor deposition from a molten metal using a heated electron-emitting filament as the cathode [227]. In 1972 Morley and Smith used a hollow cathode electron source for rapidly evaporating material for film deposition [177, 228]. Ehrich continued to develop the molten anodic arc deposition system [229].



**Figure 17.** Cathodic arc vaporization source as shown in Snaper’s patent (1974) [230].

In the “cathodic arc” discharge, vaporization originates from a spot on the surface. The spot may be stationary (“attached”), but it usually moves over the surface naturally or under the influence of a magnetic field. In the mid-1970s workers in the Soviet Union, while working on plasma sources, developed sources for arc vaporization and film deposition using arcs moving over a surface. Some of their work involved reactive deposition of nitrides (E-20). Some of the early patents on arc vaporization sources were by Snaper (1974—magnetic field coils) [230], Sablev et al (1974—no magnetic field) [231], and Mularie (1984) [232]. Figure 17 shows a figure from the Snaper patent. Generally arc sources use DC, though pulsed sources have been developed [233].

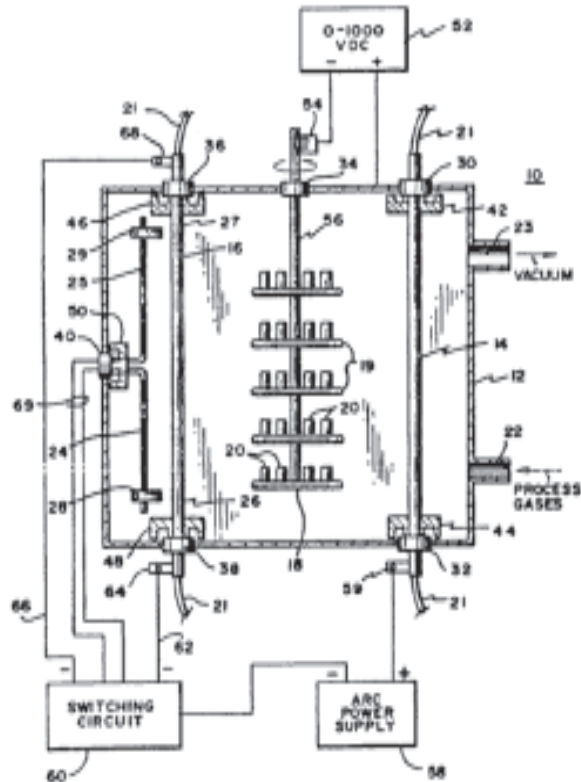
Early cathodic arc sources used “random” or “steered” arcs on planar surfaces. The arcs are initiated by a high-voltage “trigger arc” or by making and breaking electrical contact to the surface. Recently laser pulses have been used to trigger the arcs [234]. In 1991 Vergason patented a cathodic arc source where vaporization was from arcs that traveled from one end of a long rod to the other as the negative contact was changed from one end of the rod to the other, and a “trigger arc” initiated the main arc at the end opposite from the electrical contact. In traversing the length of the rod, the arcs give uniform erosion over the surface of the rod [235]. Figure 18 shows figures from that patent. In 1993 Welty added a low-turn, current-carrying coaxial coil around the rod to provide an additional axial magnetic field that aided in spiraling the arc around the cathode rod and controlled the arc travel time [236].

An advantage of arc vaporization is that a large fraction of the vaporized material is positively ionized [237] and these “film ions” can be accelerated to the substrate surface if there is a negative potential on the substrate (see ion plating section). In gaseous arcs the dissociation, ionization, and excitation

of the reactive gas (“activation”) can be important in reactive deposition processes.

A disadvantage of cathodic arc physical vapor deposition (CAPVD) is the generation of molten “macroparticles” during arcing. These “macros” create bumps and pinholes in the film. One method of eliminating the macros is to use a “filtered arc source” where the plasma of “film ions,” gaseous ions, and electrons is deflected out of the line-of-sight of the source. Most of the macros and uncharged film atoms are deposited on the walls. This approach reduces the deposition rate on the substrate significantly. The most common design uses a quarter-torus plasma duct [238]. Beginning in the 1990s the Royal Australian Mint used filtered arc deposition to deposit TiN hard coatings on their coining dies [239].

Arc vapor sources can provide ions of the depositing material to sputter a target of the same material [240]. This technique eliminates the “macros.” A magnetic field arrangement to increase the electron path length in front of the arc cathode may be used to increase the plasma density and heat “macros” to increase the evaporation from the macros after



**Figure 18.** Figure from Vergason’s patent showing a rod-type cathodic arc vaporization source (1990) [235].



they are ejected [241]. A modified tungsten-inert-gas (TIG) plasma arc welding source has been used to provide a plasma for melting and evaporating a material in vacuum [242].

A magnetron source that used magnetic fields that emerge and re-enter a planar mercury surface (“magnetic tunnel,” described in the sputter deposition section) was developed by Kesaev and Pashkova in 1959 for steering arcs [243]. Steered arc vaporization can be done with the same configuration as planar magnetron sputtering [244]. Sputtering and arc vaporization can be combined into the same target by changing the magnetic field configuration [106]. This allows arc vaporization to be used for depositing the “adhesion layer,” then the film thickness is built up using sputtering where there are no macros (ArcBond™ process). Arc vaporization as a vapor source can be used with a continuous or pulsed bias [245] to extract ions from a plasma to bombard the growing film (ion plating).

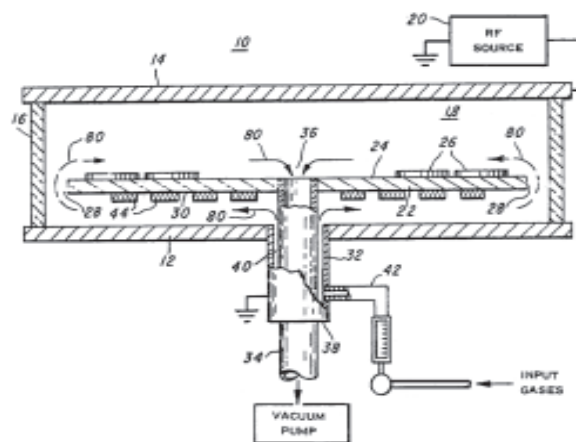
The use of a capacitor discharge through a thin wire to vaporize and “explode” the wire can be considered an arc discharge. This vaporization technique and the films thus formed has had limited study [246].

## Chemical Vapor Deposition (CVD)

(General References [1, 247-249])

Chemistry in plasmas occurs naturally with arcing phenomena such as lightning producing the chemical ozone. Von Gurkie, who made the first frictional electricity machine using a rotating sulfur ball, must have created (and smelled) hydrogen sulfide when it sparked in the presence of moisture. The deposition of carbon from spark discharges in hydrocarbon gases was reported by Henry in 1798. In 1802 Sir Humphry Davy used the new voltaic cells to study arc discharges and the generation of compounds in the arc plasmas.

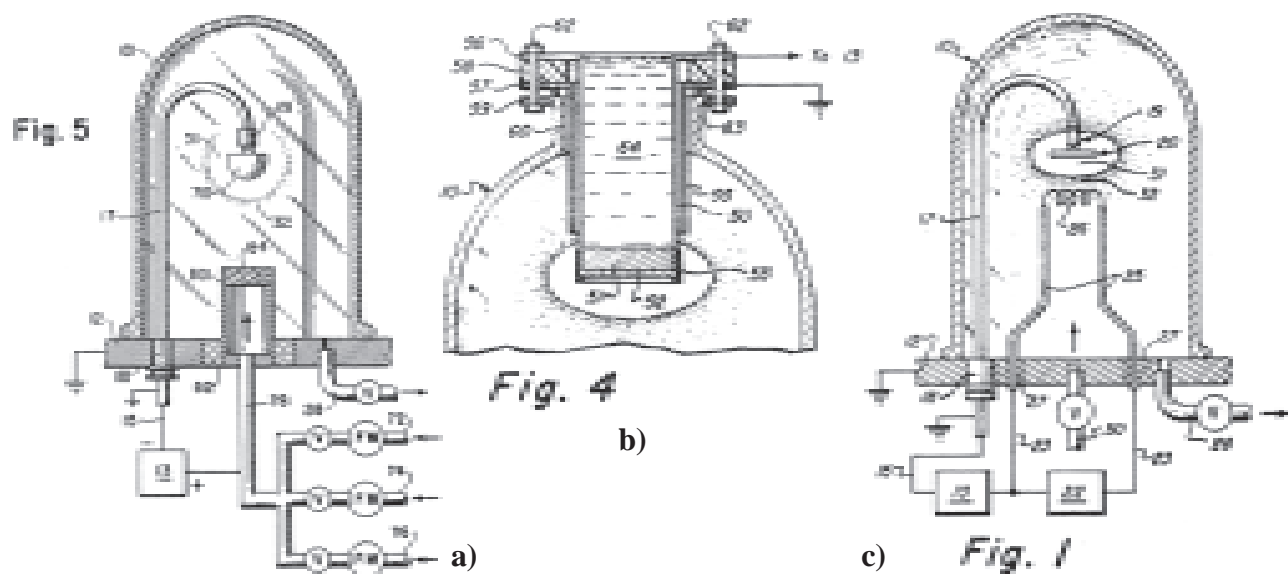
In the 1880s and the 1890s, chemical vapor deposition (CVD) began to be developed in earnest with the goal of strengthening the carbon filaments in the first light bulbs. In 1880 Sawyer and Man deposited pyrolytic carbon by pyrolysis [250] and in 1891 Mond deposited nickel from nickel carbonyl [251]. The hydrogen reduction of metal chlorides on heated surfaces to form metal films was described by Aylesworth in 1896 [252]. Early chemical vapor



**Figure 19.** “Reinberg” parallel-plate PECVD reactor (1973) [269].

deposition was performed at atmospheric pressure following vacuum pumping and flushing to rid the system of unwanted gaseous species. The concentration of chemical vapor precursors and reactants in CVD is controlled by diluents and carrier gases such as argon and nitrogen. Titanium carbide coatings were developed and commercialized on tools in the mid-1930s by Metallgesellschaft AG. Modern development of thermally driven atmospheric pressure CVD (APCVD) is considered to have begun with Lander and Germer in 1948 [253]. In 1961 Theurer demonstrated the deposition of single-crystal (epitaxial) silicon by CVD [254]. CVD reactors are either “cold-wall reactors” where only the substrate and its holder are heated or “hot-wall reactors” where a general volume is heated and a “batch” of substrates is coated. A laser was first used for localized heating for CVD in 1973 [255] and presently a laser is used for heating a moving optical glass fiber for CVD deposition.

APCVD is performed at atmospheric pressure and rather high temperatures. Low-pressure CVD (LPCVD) (or sub-atmospheric CVD—SACVD) is performed at pressures of 0.25 to 2.0 Torr in a reaction-rate limited mode [256]. In general LPCVD provides better coverage and less particulate contamination than APCVD. LPCVD (SACVD) is used in the semiconductor industry for depositing doped silicon, compound semiconductors, tungsten metalization, and passivation layers [257]. Pulsed low-pressure CVD, using pulses of reactant into a low-pressure environment, has been used to deposit thin films [258]. A type of pulsed CVD is called “atomic



**Figure 20.** Figures from Mattox’s “ion plating” 1967 patent: a) use of chemical vapor precursors in the plasma, b) use of a “cold finger” fixture to keep the bulk of the substrate very cold during deposition, and c) simple un-cooled, un-heated substrate fixture [272].

layer deposition” (ALD) where a single layer (or less) of atoms is deposited on a surface by pulsed-pressure CVD processes and the thickness of the deposited film is determined by the number of pressure pulses (AL-CVD). This technique has advantages in coating high-aspect-ratio features on the surface [259].

Early vacuum deposition from plasmas containing chemical vapor precursors was termed “glow discharge deposition.” Later the process was called “plasma deposition” [248, 260], and later still, “plasma-enhanced CVD” (PECVD) or “plasma-assisted CVD” (PACVD). In 1911 von Bolton reported the deposition of seed crystals of “diamond” from “decomposition of illuminating gas ( $C_2H_2$ ) in the presence of Hg vapors” [261]. The deposition of inert and glassy carbonaceous films on the walls of gas discharge tubes containing hydrocarbon vapors and other carbon-containing vapors was noted in 1934 [262]. In 1953 Schmeltenmeier studied plasma-deposited carbon films and discovered the presence of diamond-like structures (diamond-like carbon—DLC) [263]. DLC films can be produced by several techniques [264], including pyrolysis [265], plasma deposition [266], and carbon-ion (“i-C”) beam deposition.

In 1965 Sterling and Swann discussed the importance of plasmas in decomposition of chemical vapor precursors [267]. When depositing species from a plasma, the molecules are often incompletely

dissociated, thus forming a spectrum of molecules and molecular fragments, both neutral and ionized. Combination of fragments increases the number of species in the plasma. For example, in the PECVD of silicon from silane ( $SiH_4$ ), the formation of  $Si_2H_6$  is thought to play an important role as it is more readily adsorbed on a surface than is silane [267a]. Ozone ( $O_3$ ) is reported to be more readily adsorbed on oxide surfaces than is  $O_2$  [267b]. Plasma decomposition and vapor phase nucleation can also produce ultrafine particles [196, 268].

In 1971 Reinberg developed an RF-driven, parallel-plate, PECVD reactor that allowed CVD of materials at a lower temperature than was possible by using thermal processes alone [269]. The “Reinberg reactor,” Figure 19, is generally operated at pressures greater than 0.5 Torr and deposits materials such as glass films (phospho-silicate-glass-PSG) and  $Si_3N_4$  (from silane and nitrogen) for semiconductor encapsulation. Plasma-deposited films are also used for depositing optical coatings [270].

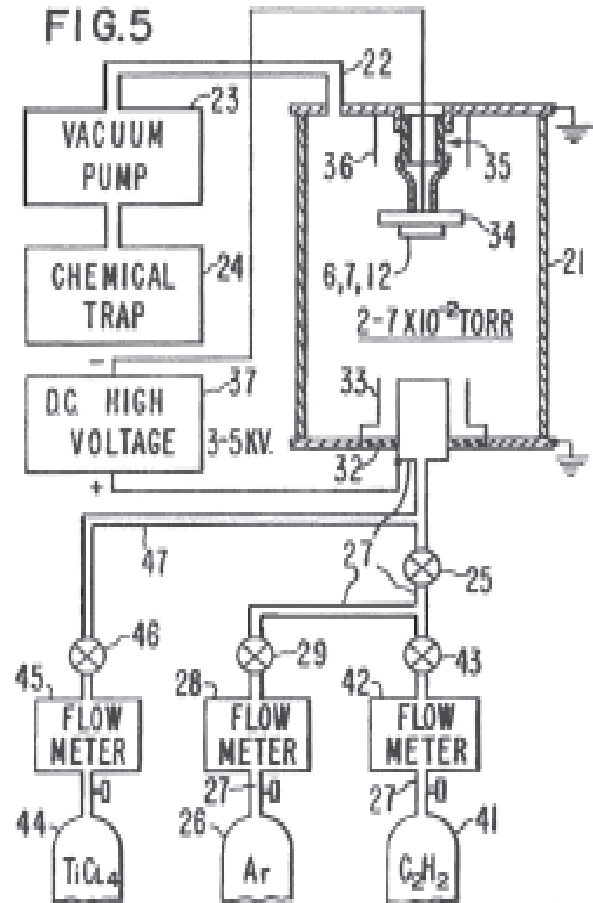
Film deposition by PECVD at very low pressures (10–50 mTorr) (LP-PECVD) allows ions from the plasma to be accelerated to high energies. LP-PECVD onto a negatively biased substrate under high-energy particle bombardment was described in the “ion plating” patent of Mattox in 1967 [271]. Figure 20a shows figure 5 from that patent. Culbertson and Mattox used this “chemical ion

plating” LP-PECVD process for depositing tungsten from  $WCl_4$  in 1966 [272]. Culbertson used the process to deposit carbon and metal carbide coatings on electron tube grids to provide a low secondary emission coefficient in 1971 [273]. Culbertson’s arrangement for depositing titanium carbide films from chemical vapor precursors is shown in Figure 21. He also described using a thermal evaporation filament for the metal vaporization. This was the first application of hybrid PVD/LP-PECVD. Later this process became important in hybrid deposition of hard coatings and decorative/wear coatings, such as metal carbonitrides (e.g., Ti-Al-C-N), using a combination of reactive PVD and LP-PECVD (see discussion of ion plating). In 1975 Spear and Le Comber showed that the valency of plasma-deposited amorphous silicon could be controlled [274]. This material became the basis of a-Si solar cells (Carlson and Wronski, 1976) [275]. In 1979 LeComber, Spear, and Ghaith reported the development of an amorphous field-effect transistor using amorphous-hydrogenated silicon (a-Si:H) prepared by PECVD of silane ( $SiH_4$ ) [276].

In 1983 Mōri and Namba used methane in a plasma-type ion source to deposit DLC films under bombardment conditions at very low pressures [277]. In the 1990s pulsed DC and bipolar pulsed-power PECVD began to be developed [278] and is sometimes called plasma impulse CVD (PICVD). Chemical vapor precursors, at low pressures, are also used in “chemical beam epitaxy” (CBE) [279]. PECVD shares many of the same concerns as “plasma etching,” “plasma stripping,” and “reactive plasma cleaning.” One of these concerns is the pumping of “dirty” and reactive gases, vapors, and particulates through the vacuum pumping system.

Probably the first metal ion beam-type source using the disassociation of a chemical vapor in a plasma was the “Calutron” source developed in WWII [280] (E-21). The Calutron produced ions that were accelerated to 35 kV and magnetically deflected to separate isotopic masses. In 1983 Shanfield and Wolfson formed vacuum-deposited compound films (BN) from a chemical vapor precursor of borazine ( $B_3N_4H_6$ ) injected into a Kaufman-type plasma source [281]. In 2002 Madocks described a magnetically “pinched” (focused) plasma configuration that may be useful for large-area plasma deposition [282].

Plasma polymerization (PP) was first noted by de Wilde [283] and also Thenard [284] in 1874. The



**Figure 21.** Figure from Culbertson’s 1971 patent showing arrangement for depositing titanium carbide films [273].

phenomena was not put into practical use until the 1960s when plasma polymerization was developed to apply thin, pinhole-free polymer coatings on food containers for corrosion protection [285]. Partially oxidized, plasma-polymerized coatings are of interest as permeation barriers and have been plasma-deposited from hexamethyldisiloxane (PP-HMDSO) and hexamethyldisilazane (PP-HMDSN) [286]. The degree of oxidation is determined by controlling the partial pressure of oxygen in the discharge. This type of coating is used as an external vapor barrier on the external surface of three-dimensional plastic containers. Plasma polymerization, along with PVD-type vaporization of solids, is used to deposit mixed metal-polymer “composite” films [287]. Ion flux and electron temperature are important parameters in plasma polymerization at low pressures [288].

## Ion Plating

(General References [271-273, 289-295])

In 1963 Mattox described the use of a negative substrate potential on a substrate to obtain ion bombardment from a plasma before and during film deposition [271, 296] (E-22, E-22a). Bombardment during deposition can be used to modify the properties of the deposited material. Figure 20a shows a figure from the patent that uses LP-CVD. Figure 20c shows the use of a resistively heated evaporation filament. Ion bombardment from the plasma sputter-cleans the substrate surface [297], and by continuing the sputtering while beginning the film deposition, the film-substrate interface is maintained contamination-free.

Initially ion plating used a thermal vaporization source or a chemical vapor precursor or a combination of the two sources. Later, when high-rate sputter vaporization sources were used as a source of deposited material, the process was called “sputter ion plating” by some authors [298] and “bias sputtering” by others. In the ion plating process deposited material may be “back-sputtered” if the bombarding energies are above some “sputtering threshold” energy. Generally this threshold energy is 50 to 100 eV depending on the depositing material and mass of the bombarding species. Bombardment below this energy can modify film properties without having any “back-sputtering” [299]. Generally at low bias potentials high ion fluxes are used to modify the properties of the coating. When depositing compound or alloy materials, preferential back-sputtering may affect the composition of the deposit.

To some, ion plating represents a defined deposition process with various vapor sources; to others, ion plating is a deposition parameter for deposition processes defined by the vapor source. When using a chemical vapor precursor in a plasma, some authors refer to the process as “chemical ion plating,” and it is a low-pressure version of plasma-enhanced chemical vapor deposition (PECVD) (see CVD section). The term “ion plating” was first used in 1964 and rationalized by Mattox in 1968 [300]. Some authors prefer the term “ion assisted deposition” (IAD) or “ion vapor deposition” (IVD), or ionized physical vapor deposition (iPVD) [301], and it may also be considered an “energetic condensation” process [302].

Ion bombardment of the substrate and the grow-

ing film adds thermal energy to the surface region without having to heat the bulk of the material. This allows a sharp thermal gradient to be established between the surface region and the bulk of the material [303]. Figure 20b shows the use of a liquid-nitrogen-cooled “cold finger” to keep the bulk of the substrate cold while the surface is bombarded. Figure 20c shows a non-heated, non-cooled substrate holder configuration for ion plating. The ion bombardment also causes atomic rearrangement in the near-surface region during deposition, which increases the film density and intrinsic compressive film stress [304]. The term “atomic peening” for this densification process was first used by Blackman in 1971 [305]. Ion bombardment also increases the chemical reactivity between the depositing film material and the co-deposited or adsorbed material [306]. The presence of the plasma “activates” reactive species in the gaseous deposition environment and makes them more chemically reactive with the deposited material (“reactive ion plating”).

Mattox also demonstrated that the ion plating process provides good surface coverage over three-dimensional surfaces from a point vaporization source. This is due to scattering in the gaseous environment when the pressure is in the range of 10 to 40 mTorr. The problem of “sooting” [196] was not encountered because the vapor phase condensed particles become negatively charged and are repelled from the negative substrate. Soot deposit on the wall, however, is a problem for system maintenance when high-rate vaporization is used. Attempts to use scattering in the gas phase to improve coverage without a negative bias and bombardment were not very successful [307].

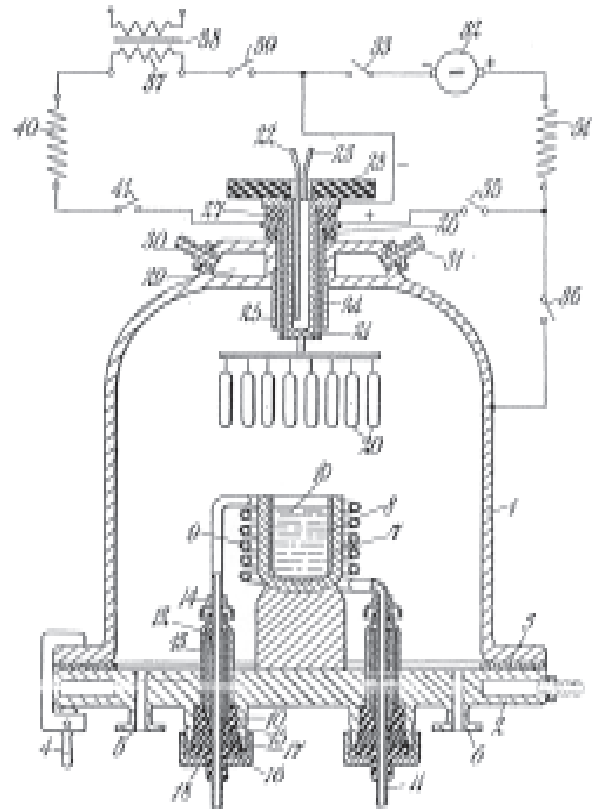
A great deal of effort was expended to find “prior art” for the ion plating technology, even though the Mattox patent was in the public domain from its inception since he worked under contract for the United States Atomic Energy Commission (USAEC) (E-11). One prior patent by Berghaus was located. That patent described a similar process that involved coating articles with a negative bias in a glow discharge, as shown in Figure 22 [308]. Berghaus in his 1938 and 1942 patents stated that the coating adhesion was improved and that the coating was densified by the method. No technical papers were found on his process and the technique was not mentioned in L. Holland’s book *Vacuum Deposition of Thin Films*

(1957), though Holland referenced other work of Berghaus.

In 1962 F. Wehner patented a process using a triode-sputtering configuration for deposition of epitaxial films [69]. Figure 9 shows his apparatus, which uses a mercury plasma. A paper published in 1962 discussed periodic bombardment of the depositing film using an asymmetric AC potential between the sputtering source and the substrate to improve the properties of superconductor film material by periodic ion bombardment during deposition. Frerichs called this technique “protective sputtering” [309].

In 1965 Maisel and Schaible used a negative substrate bias during sputter deposition (“bias sputter deposition”) to improve the purity of sputter-deposited chromium films [310]. They found that oxygen was removed from the depositing film, forming a purer metal film. In 1965 Glang, Holmwood, and Furois studied the stress in films formed with concurrent ion bombardment [311]. In 1968 Vossen used an RF substrate bias while sputter-depositing aluminum metallization on silicon devices to improve the “throwing power” into surface features [312]. In 1970 Maissel, Jones, and Standley demonstrated that an RF bias on a sputter-deposited ceramic film would densify the deposit [313]. Reactive sputter deposition under ion bombardment conditions began in 1969 with the work of Krikorian and that of Pompei [314].

The ion plating technology was immediately applied to production applications, including the coating of uranium fuel elements for pulsed nuclear reactors [315], tribological coatings for the space program [316], and aluminum coating of fasteners for the aerospace industry [317]. The latter process was known as the “Ivadizing” process using Ivadizer™ equipment, and ultimately the “ion vapor deposition” (IVD) process (E-23). The IVD “specs” are “called out” in many military procurement orders [318]. In 1973 Bell and Thompson reported using ion plating as a “strike coat” for electroplating in order to get good adhesion [319]. In 1984 Panitz and Sharp reported the use of PVD deposited films followed by barrier anodization to form aluminum thin film capacitors [319a]. In 1968 Mattox and Rebarchik reported the use of a biased rotating “cage” with a high-transmission grid to contain loose parts such as nuts and screws (320). The cage avoided the need to make electrical contact to individual parts and is analogous to “barrel plating”



**Figure 22.** Figure from Berghaus’s 1938 patent showing an “ion plating” configuration [308]. This work was overlooked for 25 years.

in electroplating. A vibrating table can be used for coating balls in the same manner. The use of a high-transmission grid structure in front of an electrically insulating surface allows ion bombardment of the surface and any dielectric film growing on the surface (321).

In 1975 Schiller, Heisig, and Goedicke published work on thermal evaporation and sputter deposition in which a small amount of metal was periodically deposited and then exposed to bombardment by energetic ions. A coating was obtained by repetitive deposition and bombardment [322]. This process was called “Alternating Ion Plating.” A similar technique was employed by Lefebvre, Seeser, Seddon, Scobey, and Manley in 1994 in a patent for periodic deposition and reactive ion bombardment on a rotating cylindrical (“drum coater”) substrate fixture (OCLI’s MetaMode™) to form a coating of a compound material by reactive deposition [323]. A further development is the use of a microwave injector system to “activate” the oxygen that is injected to react with the periodically deposited film material on the

rotating drum and to increase the plasma density above the sputtering target (DSI MicroDyn™ equipment) [323a]. This allows slower drum rotation and a thicker film to be deposited on each pass.

Electron beam (e-beam) evaporation was developed in the mid-1960s, but initially it was not used for ion plating because the high negative voltage on the filament prevented the source from being used in a plasma where positive ions were accelerated to the filament and rapidly eroded the filament. In 1971 Chambers and Carmichael [176] avoided that problem by having the electron beam pass through a small hole in a thin sheet in a section of a plate that separated the deposition chamber and the chamber where the filament was located. This allowed a plasma to be formed in the deposition chamber while the filament chamber was kept under a good vacuum. The plasma allowed the ion bombardment of material being thermally evaporated using an e-beam as well as “activation” of a reactive gas. This e-beam evaporation technique could then be used for the deposition of refractory metals and alloys [324]. A magnetic field can be used to guide electrons to impinge on an electrically isolated surface in order to create a “self-bias” that then attracts ions for concurrent bombardment during deposition [94, 325]. This allows ion plating to be performed on an electrically insulating surface without having to use an RF bias.

The use of a negative potential on a substrate immersed in a plasma is called “plasma-based ion plating.” From its inception it was realized that only a small fraction of the evaporated or decomposed chemical vapor precursors was ionized (“film ions”). Several investigators attempted to quantify the number of film ions formed with varying techniques [326]. In some investigations post-vaporization ionization of the vaporized material was employed [327]. Post-vaporization ionization and acceleration is also used in doping of films grown by MBE [328].

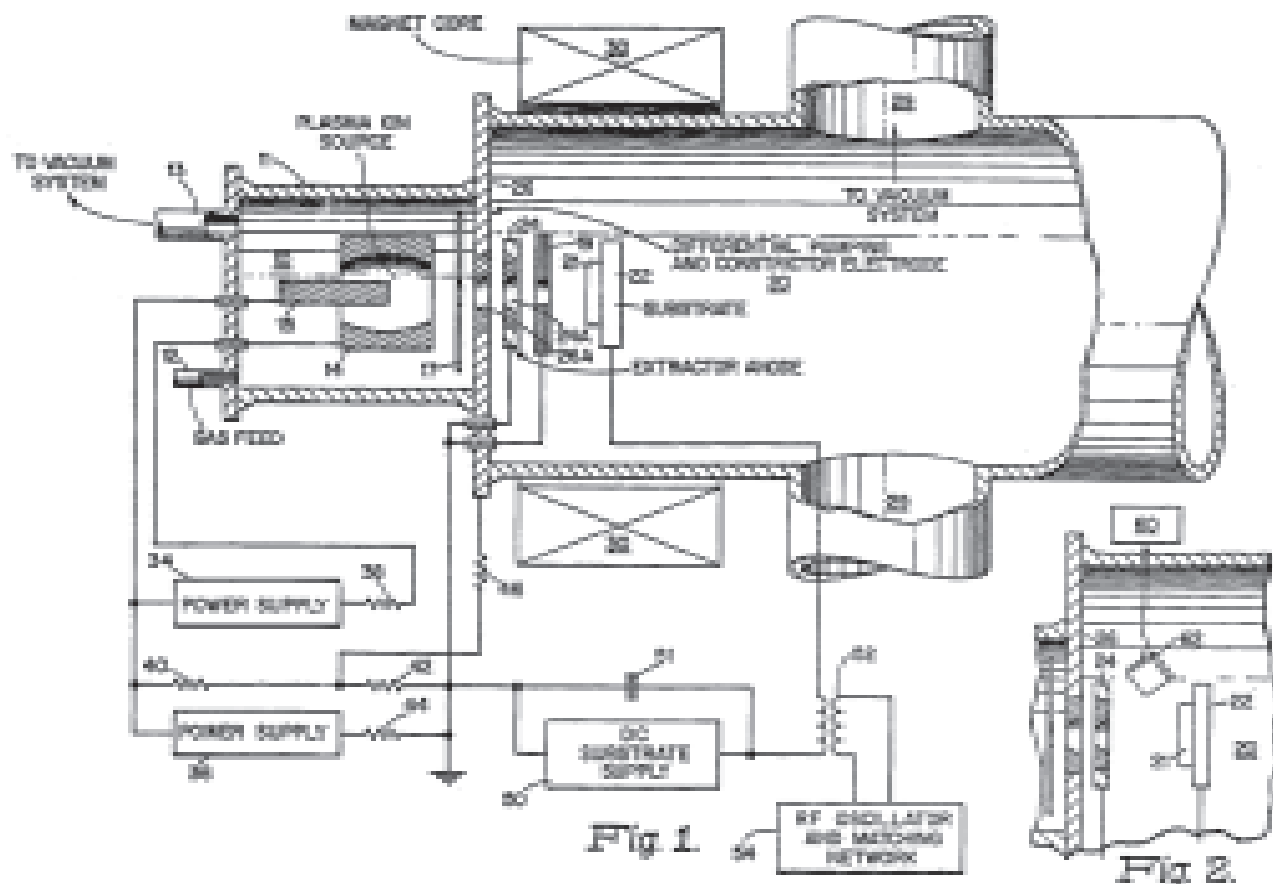
With the advent of arc vaporization (which produces a high fraction of vaporized species) as a source of vapor for ion plating, the effects of “self-ion” bombardment became increasingly important [329]. This bombardment has the advantage that the mass of the bombarding species is the same as the depositing species, thus maximizing the energy and momentum transfer. Both cathodic arc and anodic arc vaporization have been used for ion plating with the Russian BULAT-type being one of the first such

cathodic arc deposition systems [38]. In 1991 Olbrich, Fessmann, Kampschulte and Ebberink reported using a pulsed bias to reduce the heat load on the substrate during deposition [329a].

When sputtering at low pressures the reflected high-energy neutrals are not “thermalized” and bombard the depositing film with the same effect as ion bombardment. By changing the gas pressure, the degree of thermalization can be controlled. “Pressure pulsing” has been used to modify the properties of the depositing material in the same manner as ion bombardment [124]. Energetic particle bombardment of the surface or depositing film can result in incorporation of high concentrations of the bombarding gas into the surface or film [330].

If the material is deposited in a good vacuum, the process may be called “vacuum ion plating” [331]. Vacuum ion plating can be done using condensing vapor bombarded by a separate ion source that may use an inert or reactive gas [332]. This is usually called ion beam assisted deposition (IBAD). The IBAD process has been especially effective in depositing dense coatings for optical coating applications. Bombardment can be done using a beam of condensable “film-ions” from an ion source. In 1969 Aisenberg and Chabot discussed ion beam deposition of elements and compounds using a plasma source where ions of the electrode material (carbon and doped silicon) were extracted into the deposition chamber [333]. When using a pure beam of “film ions” there is no possibility of incorporation of a foreign species in the deposited film. In 1973 Aisenberg used energetic carbon ion (i-C) beams to deposit diamond-like carbon (DLC) material in good vacuum under bombardment conditions [334] (E-24). Figure 23 shows a source from his 1976 patent. The carbon film ions are used to deposit DLC films on plastic lenses and blade edges. Film ions can also be obtained from field emission sources [335]. At high bombardment fluxes and/or energies, “back-sputtering” by gaseous ions [336] or “self-sputtering” by “film ions” [337] can be an important effect. To have appreciable back-sputtering, a low flux of high-energy ions or a high flux of low-energy ions is needed since the “sputtering yield” is a function of the mass and the energy of the bombarding particles.

The source of condensable material for ion plating can be a chemical vapor precursor, such as that used in chemical vapor deposition (CVD). Ion-plated



**Figure 23.** Aisenberg's patent for deposition of DLC material using an ion source from which high-energy "film ions" were extracted (1975) [333].

tungsten was deposited from  $WCl_4$  in 1966 [272]. Ion-plated carbon (C) and metal (Ti, Cr, Zr, Si) carbide coatings from chemical vapor precursors (e.g.,  $TiCl_4$  and  $C_2H_2$ ) were deposited on electron tube grids to decrease secondary electron emission [273]. The carbon coatings were probably what were later called diamond-like-carbon (DLC) coatings. This application was the first use of a combination of PECVD and PVD processes (hybrid process) to deposit metal carbide coatings by ion plating, which is now a common process. In 1974 Mattox discussed the use of reactive ion plating for the deposition of compound films for hard coatings [338].

Periodic bombardment of a substrate surface with very high-energy ion bombardment ( $>10$  keV) is called "plasma immersion ion implantation" (PIII

or  $PI^3$ ) [339] and is similar to a beam-type shallow ion implantation, which was developed in the early 1970s for the semiconductor device industry, except that it is non-directional. The use of pulsed power prevents the discharge from becoming an arc. If PIII is performed during metal deposition, it is called "plasma immersion ion implantation deposition" (PIIID) [340]. Pulsed plasmas in a high-voltage coaxial plasma gun have been used to erode the electrodes and provide the vapor to be deposited. Periodic discharges were obtained by pulsing gas through the tube. For example,  $Ti(CN)$  can be deposited using titanium and carbon electrodes and a nitrogen working gas [341].

# Surface Preparation

(General References [342, 343])

Surface preparation is an essential step in all vacuum coating processing and is critical to the nucleation and interface formation steps of the coating process. These “prepared” surfaces, in turn, determine the adhesion of the coating, the surface coverage, and—in many cases—the structure and the properties of the resulting deposit. Surface preparation includes not only cleaning but in some cases modification of the chemical, morphological, or mechanical properties of the surface or the near-surface region [344]. These changes can affect the nucleation of the depositing atoms on the surface and the growth of the coating. Cleaning comprises both that done external to the deposition chamber (external cleaning) and that done in the deposition chamber (*in situ* cleaning).

External cleaning for vacuum coating is generally similar to that used in other manufacturing processes of the type called “critical cleaning [342]” or “precision cleaning.” Precision cleaning is sometimes defined as “cleaning a surface that already looks clean.” A few external cleaning techniques have been developed specifically for vacuum coating or were initially used for vacuum coating. These include ultraviolet-ozone (UV/O<sub>3</sub>) oxidative cleaning and sputter (physical) cleaning.

UV/O<sub>3</sub> cleaning was initially developed by Sowell, Cuthrell, Bland, and Mattox in 1974 to clean very fragile quartz-crystal structures that were contaminated with Carnauba wax during grinding and polishing [345]. The cleaning technique was found to be very effective for removing contaminants that formed volatile oxidation products, such as hydrocarbons, from oxidation-resistant surfaces, such as glass, or from surfaces where a coherent oxide was desirable, such as silicon. The UV/O<sub>3</sub> environment was also found to create a hydrocarbon-free storage environment for storing cleaned surfaces prior to coating (E-25).

An important aspect of cleaning is to avoid contamination of the surface with particulates. Particulates are a primary cause of pinholes in films deposited on smooth surfaces. In 1960 Willis Whitfield (Sandia Corp., later Sandia National Laboratories) developed the laminar flow “clean bench” (E-26) that

uses a fiber filter to remove fine particulates from the air. The mechanical fiber filter is called a HEPA (High Efficiency Particulate Air) filter and was initially developed for use in filtering the air in mine-safety appliances. Initially clean benches and clean rooms were developed to remove radioactive particles and provide clean areas for assembly of contaminant-sensitive components. This was an improvement on the “white rooms” used during WWII.

“Cathodic etching” (preferential sputtering) was probably first used for preparing the surface of metallographic samples for microscopic observation. Preferential sputtering of different crystallographic surfaces delineates the grain structure on highly polished surfaces. The etching also brings out inclusions in the material. This sputtering process cleans the surface, but that is not the purpose of the sputtering in preparing metallographic samples. “Sputter texturing” has been used for creating very micro-rough surfaces by simultaneously contaminating a surface with carbon while sputter etching. The carbon forms islands on the surface that protect small regions of the surface from sputter etching [346]. “Sputter depth profiling” as an analytical technique was developed for use with Auger Electron Spectroscopy in the 1960s.

In 1955 Farnsworth, Schlier, George, and Burger reported using sputter cleaning in an ultra-high-vacuum system to prepare ultra-clean surfaces for low-energy electron-diffraction (LEED) studies [297]. Sputter cleaning became an integral part of the ion-plating process [289-292] and is now routinely used in the deposition of hard coatings on tools. In 1976 Schiller, Heisig, and Steinfeldt reported sputter cleaning of a strip by passing it through the “racetrack” of a magnetron sputtering source [347]. Sputter cleaning has some potential problems such as overheating, gas incorporation in the surface region, bombardment (radiation) damage in the surface region, and the roughening of the surface, particularly if “over done.” It is important to have a “clean” plasma in order to not continually recontaminate the surface during sputter cleaning [348]. Gas incorporation during sputter cleaning can result in adhesion problems between film and substrate [349]. Deposition of the sputtered material on the vapor source such as a filament evaporator [315] or



sputtering target can result in redeposition of the contaminant on the substrate when the deposition process is begun. Redeposition of sputtered material on the substrate can also give problems, especially at high sputtering pressures [350].

Sputtering of the surface of a compound or alloy material can result in the surface composition being changed. Often the species with the least mass [351] or the highest vapor pressure [352] is the one preferentially sputtered from the surface. Bombarding of a carbide surface with hydrogen can result in the loss of carbon (“decarburized”) [353]. Extensive sputtering of a surface can be used to form desirable features or to thin a specimen for transmission electron microscopy [354]. This process is called “ion milling.”

Reactive cleaning uses a reactive gas (H, Cl, F) or vapor (I) [354] to form a volatile compound of the contaminant and/or surface material. Reaction may be promoted by heating—for example, “air firing,” or with the use of a plasma in a vacuum, “reactive plasma cleaning.” Reactive plasma cleaning was the first *in situ* cleaning process and was initially used to clean glass surfaces for optical or reflective coatings. This process, using an air (oxygen-containing) discharge, was used by Strong in 1935 before depositing reflective coatings on glass [355]. Strong used this technique for cleaning glass surfaces for astronomical telescopes [149] (E-27). Most optical coating equipment, even if it only uses thermal evaporation for deposition, has a high-voltage “glow bar” that allows the formation of a plasma for plasma cleaning of surfaces. In 1977 Mattox and Kominiak reported reactive plasma cleaning of metal surfaces with plasmas containing chlorine [356]. A carbon deposit was left on the surface when using a chlorine-containing chemical such as  $\text{CCl}_4$ , so HCl was found to be a better choice. Hydrogen can also be used for plasma cleaning to remove hydrocarbons and other materials that form volatile hydrides [357]. Sputtering with a reactive gas or vapor such that a volatile compound is formed on the surface and then thermally vaporized is sometimes called “chemical sputtering” [358] or “reactive ion etching.”

A surface in contact with a plasma acquires a negative voltage (several volts) with respect to the plasma. This sheath potential accelerates positive ions to the surface. When an ion contacts the surface it acquires electrons and releases its energy of

ionization (5 to 20 eV). This low-energy bombardment and heating desorb adsorbed contaminants such as water vapor. This type of plasma cleaning is called “ion scrubbing” [343].

Plasmas are also used to “activate” the surface of polymer substrates either by generating free radicals of surface species or grafting reactive species, such as oxygen or nitrogen, to the surface (“functionalization”). This activation can be used to increase the adhesion of the deposited film to the substrate [359]. Plasmas can also generate electronic sites on ceramics that can affect nucleation and adhesion [360].

The first studies on plasma treatment of polymers were for adhesive bonding. The first studies used corona discharges in air by Rossman [361] in 1956. In the late 1960s inert gas plasmas were used in the process called “crosslinking by activated species of inert gas” (“CASING”) [362], though the inert gas was probably contaminated by reactive species. Plasma treatment can also be used to crosslink low-molecular species on the surface, thus avoiding the “weak boundary layer” adhesion problem. UV radiation from the plasma probably plays an important role in this “curing” process.

A substrate surface can be hardened by the formation of dispersions of carbide, nitride, or boride phases in the near-surface region. This can be done external to the deposition system by diffusion of reactive species into the appropriate alloy material at high temperature. Dispersion hardening can be done in vacuum by ion implantation of one (example: N) or several (example: Ti + C) species [363] or in a plasma by ion bombardment and heating by the reactive species [344]. The term “ionitriding” is used for the plasma nitriding process [364] and “plasma carburizing” for forming a carbide phase [365]. In “plasma source ion implantation,” pulsed plasmas are used to diffuse reactive species into the surface [339].

Vapor deposited fluid films are used to “flow coat” webs in vacuum to cover surface defects and smooth the surface. These polymer films are then cured with UV or electron beam irradiation [214].

The chemistry of a surface can be changed by depositing a “glue layer” such as in the glass-Ti-Au system where the titanium is oxygen-active and reacts with the glass, and gold is soluble in the titanium [348]. In reactive deposition the intermediate

layer can be deposited by limiting the availability of the reactive species. For example, the system may be: substrate-Ti-TiN<sub>x-1</sub>-TiN, formed by limiting the availability of the nitrogen. This is called a “graded” interface [348].

Recontamination of surfaces in the deposition chamber can be a major problem. In addition to the obvious problems (of backstreaming, flaking, and wear particles), particles can be formed by vapor phase nucleation of the vaporized material [196, 366, 370]. If there are vapors in the system rapid evacuation can cause cooling and vapor phase condensation of droplets that can “rain” on the substrate surfaces. This effect was reported in 1990 [367], but the effect of cloud” formation by rapid expansion

and cooling had been reported by C.T.R. Wilson in 1928 and was the basis of the 1948 Nobel Prize by P.M.S. Blackett for work using the “Wilson cloud track chamber.”

The preparation of “vacuum surfaces” in the deposition chamber is important in generating a clean vacuum environment rapidly [368]. Both oxygen [358] and hydrogen [357] plasmas have been used to clean vacuum surfaces. Reactive plasma cleaning is used for *in situ* cleaning of vacuum surfaces in vacuum systems and to “strip” deposits from vacuum surfaces.

Stripping and reclamation of substrates, fixtures, and liners can be important to economical vacuum coating [368a]. For example, astronomical telescope mirrors are routinely stripped and recoated [150].

# Summary

Today there are thousands of applications of vacuum coating technologies. It is hard to realize that the industry is only about 70 years old. The vapor sources for vacuum coating are 100 to 150 years old but commercial uses did not start until the mid-1930s with the development of thermal evaporation in vacuum. The applications of vacuum coatings progressed from the simple single-layer coatings used for electrical, optical, and reflecting applications in the 1930s and 1940s to coatings for corrosion protection in the 1950s. In the 1950s coatings on flexible materials for packaging began to be used and “vacuum metallization” for decorative purposes became a big business. The advent of semiconductor technology and the need for electrically conductive metallization and passivation layers was a major impetus to vacuum coating. The “energy crisis” in the 1970s showed the need for energy-conservation coatings on large areas of glass and polymer webs. In the 1980s vacuum coatings for display applications, particularly transparent conductive oxides, became important, and in the 1990s hard coatings for tools and decorative applications became important new applications. In the future it is expected that vacuum coatings will continue to play a vital role in developing both existing and new products. An example are the optically variable interference/diffraction films that are fractured and used as pigments in ink to counter counterfeiting [369].

As with many inventions and inventors [370] (E-28) it is often difficult to establish the originator of any particular idea or invention. The search is complicated by the information being in both the patent and the technical literature. Patents seldom cite relevant technical papers and technical papers seldom cite relevant patent literature. Often there is controversy over aspects of the information provided.

The sputtering phenomenon was widely studied in the 1920s and 1930s (Guenthersulze, et al) as well as in the 1950s and 1960s (Wehner). Sputter deposition was the first vacuum coating technology to be available, but with the exception of Edison’s deposition on thermally sensitive wax substrates and some work on specialized mirrors, the technique was not widely used until the advent of semiconductor device fabrication. The use of encapsulated aluminum metallization on silicon devices revealed the

problem of “stress voiding” that could be solved by the use of an Al-Cu-Si alloy metallization [371]. Sputter deposition was the answer [372].

Applications of sputter deposition increased rapidly after the invention of the various high-rate magnetron sputtering sources in the early 1970s. Reactive sputter deposition of electrically conductive compound materials (such as the nitrides and the carbides) for decorative and hard-coating applications began in the early 1980s. Target “poisoning” and surface flashover (arcing) were problems when reactive sputtering “good” dielectric materials, such as most oxides. The invention of the dual magnetron and pulsed-power sputtering sources in the early 1990s helped alleviate those problems.

Thermal evaporation was an obvious vapor source long before it was studied. Its development was inhibited by the high radiant-heat loads and the lack of vacuum materials and techniques that could withstand the heat, particularly in a demountable system. As John Strong comments in his book, “Although the evaporation method was known by 1912, it remained obscure, for some reason, long after it should have become a practical ‘tool’ in the laboratory” [373]. Thermal evaporation began to be developed in earnest after the work of John Strong on the aluminization of astronomical mirrors in the mid-1930s. Aluminum was one desirable material that could not be electroplated without great danger and difficulty. The technology advanced further with the development of e-beam evaporation that allowed refractory materials to be deposited. Evaporation into plasmas extended the technique into the realm of practical reactive evaporation.

Arc vapor deposition had sporadic development in the 1970s but really became important in the 1980s with the introduction of the reactive arc deposition work of the Russians. Arc vaporization is less sensitive to source “poisoning” than is sputtering and has the advantage that much of the vaporized material is ionized. The application of arc deposition became more useful as extended arc sources, such as rod and elongated “racetrack” sources, became available.

Thermally driven chemical vapor deposition (CVD) had limited usefulness because of the high temperatures required. High temperature in general requires that the coefficient of thermal expansion of

the substrate and the coating must be matched, or else excessive strains are introduced into the coating. The advent of plasma-enhanced CVD lowered the deposition temperature required and PECVD began to be used, particularly in the semiconductor processing industry. At the pressures used for PECVD it was not possible to accelerate ions to high energies. This was overcome by the use of LP-CVD, which was done at “sputtering pressures” (i.e., 10 mTorr or so).

Ion plating utilizes continuous or periodic bombardment by high-energy atomic-sized particles, generally ions, to create a “clean” interface and to modify the properties of the deposited material. The bombardment densifies the deposited material and enhances the chemical reactions necessary for reactive deposition. The concept of bombardment during deposition was patented in the late 1930s but was “lost” until the early 1960s. At that time the process was patented using chemical vapor precursors (LP-CVD) and thermal evaporation sources. Sputter deposition at that time was slow and the use of “bias sputtering” (bias sputter deposition) was lim-

ited. The advent of magnetron sputtering made the use of concurrent bombardment during sputter deposition more attractive.

Of course it is impossible to list all of the relevant references but the author hopes that he has correctly identified the “first” reference to important vacuum coating processes and process parameters and has included enough later references to help the reader “fill in the blanks” where so desired. It is of interest to note that one of the first commercial vacuum coating companies in the USA was established in 1936 (E-29).

The author has not attempted to identify all or even most of the applications of vacuum coating and the work that has been done on characterizing their growth and properties. He would, however, like to point out that “there are no ‘handbook values’ for the properties of vacuum coatings—their properties depend strongly on the substrate properties (particularly surface roughness), the deposition process, and the processing parameters used to create them.”

# Endnotes

- (E-1) To be a “pioneering” work as far as an application is concerned, the author means that the work was pursued with “vigor” by the initial investigator or other contemporaries, and that the initial work was recognized by future investigators. The key seems to be that there was a need or there was a marketing operation capable of creating a perceived need, otherwise the work was “lost.”
- (E-2) Abbe Jean-Antonne Nollet was a famous French scientist studying electrostatic (“frictional”) electricity. In 1751 Nollet sent an electrical shock, from a bank of Leyden jars, through 180 soldiers holding hands and made them jump before of the King of France. Later the King had Nollet make 700 Carthusian monks jump with an electrical shock.
- (E-3) Ben Franklin was the prime mover in bringing the French into the Revolutionary War on the side of the Americans. This act was a major factor in the withdrawal of the British from what became the United States of America. One of the major reasons that Mr. Franklin was accepted by the French Court in 1776 was that he was an established scientist who was a Fellow of the Royal Society (London), and the French Court appreciated scientists.
- (E-4) At the turn of the century Thomas A. Edison was an advocate of “safe” DC power while George Westinghouse was promoting AC power. Edison designed and built an electric chair using AC and made a movie of a simulated electrocution of a man in 1902 to show how dangerous AC was. He routinely electrocuted dogs and cats in public to demonstrate the dangers of AC and in 1903 he electrocuted a rogue zoo elephant named Topsy. See Richard Moran, *Executioner’s Current: Thomas Edison, George Westinghouse, and the Invention of the Electric Chair*, Knopf (2002)
- (E-5) One of the first commercial applications of hydroelectric AC was in the mining town of Telluride, Colorado. In 1891, a water-powered Westinghouse AC generator produced power that was transmitted 2.5 miles to power a 100 horsepower AC induction (Tesla) motor at the Gold King mine. This hydroelectric power replaced the steam-generated DC electric power that had become too expensive. The cost of electricity at the mine dropped from \$2,500/month to \$500/month. Several years later the town of Telluride was electrified. This installation preceded the Niagara Falls hydroelectric AC generating plant that came on-line in 1895.
- (E-6) The introduction and use of “pulsed power” brought forth a number of terms such as “asymmetrical AC,” “unipolar pulsed DC,” “bipolar pulsed DC,” “counterpulse,” and even “bipolar DC.” These terms were often not defined by the authors and sometimes flew in the face of accepted usage of electrical terminology.
- (E-7) Professor Brown tells the story of Hittorf who labored week-after-week, gradually extending the length of a thin glass discharge tube trying to discover the length of the positive column. Eventually the tube ran back and forth across Hittorf’s laboratory. At that stage, a frightened cat, pursued by a pack of dogs, came flying through the window... “Until an unfortunate accident terminated my experiment,” Hittorf wrote, “the positive column appeared to extend without limit.” [ref. 22 p.77]
- (E-8) Sir William Crookes was an eminent scientist but raised a lot of controversy when he “experimentally verified” that several psychic mediums, including Daniel Dunglas Homes and Florence Cook, were authentic and that their abilities “transcended the laws of nature.” Scientific journals refused to publish many of his “findings” and much of his work on that subject was privately published. Ref: “Sir William Crookes—FRS, FRGS, *Researches in the Phenomena of Spiritualism*, Pantheon Press (1971) (reprints of many of Crookes’ articles).
- (E-9) In this time period the term “arts” was used as we use the term “technology” today. The term is still used in the patent-related literature, e.g., “prior art.”
- (E-10) “I find in practice that the employment of an electric arc for vaporizing the metal, as suggested in my patent, is open to the objection of being slow, and unless the process is carried out with great care the deposit is not entirely uniform, while there is danger of injuring the very delicate phonograph record surface, particularly from the heat of the arc. I find that the rapidity of the process is increased and the character of the deposit improved if the vaporization of the metal is effected by maintaining between two electrodes of the metal a silent discharge of electricity of high tension, such as may be produced from an induction-coil of large capacity or from any induction-machine of approved type, such as the Helmholtz induction-machine.” (From ref. [42].)
- (E-11) The question arises as to why much of the early

work done under government contract or by government employees was not patented. Before 1980 the U.S. government employees and contractors were only interested in putting R&D work in the Public Domain because they were not allowed to patent and license the work for profit. In 1980 Congress passed legislation (the Bayh-Dole Act and the Stevenson-Wydler Technology Innovation Act) that allowed work developed with government support to be patented and protected. Patents then became much more desirable at government-owned government-operated (GOGO) and government-owned contractor-operated (GOCO) establishments such as the Rocky Flats Plant. However, the initial work on magnetron sputtering from a hemispherical target was for a classified project.

- (E-12) In 1970 John Chapin, John Mullay, and Ted van Vorous—all of whom had worked at the Dow Chemical Co., Rocky Flats Plant—formed Vacuum Technology Associates (VacTec). VacTec had a contract with Airco to develop a long, linear, high-rate sputtering source. Airco provided money and equipment for the development work. Chapin initially used a trough-shaped source similar in cross-section to the hemispherical configuration that Mullay had used in 1969. He quickly obtained the desired sputtering rate for copper. He also conceived the flat planar design. Luckily he noted the idea in his engineering notebook and that entry was witnessed by Bob Cormia of Airco. It would seem that Corbani's patent "anticipated" Chapin's patent. However Chapin was able to "swear behind" Corbani's disclosure based on the notebook entry and therefore Chapin's patent took precedence and Chapin is credited with inventing the planar magnetron sputtering source. Initially there was disagreement between Airco and VacTec about who owned the patent for the planar magnetron. The disagreement was played out in court with the decision in favor of Airco for long sources. Afterward Airco made and marketed long planar magnetron sources and VacTec made shorter versions.
- (E-13) Shorter Oxford Dictionary, 3rd edition (1955)—Sputter v (1598) or sputter sb (1673) also splutter sb (1823)—an English term meaning "To spit out a spray of particles in noisy bursts." Imitative origin from the Dutch word *sputteren*.
- (E-14) L. Holland has the wrong page [p. 546] for ref. 115 in his book (107, reference 2) and this mistake has been perpetuated in several subsequent works.
- (E-15) John Strong gives 1928 as the date of Ritschl's work in the text of his book (ref. 131, p. 171), but gives ref. 144 as the reference to Ritschl's work. Strong could be called the "father of filament evaporation" for his long efforts in this area, and he was a contemporary of Ritschl so the author thinks that he must have had a good reason for using 1928 as the year of the work.
- (E-16) Before the use of aluminizing to coat astronomical front-surface mirrors, chemically deposited silver was used [40]. The silver coating had to be carefully polished but polishing left minute scratches that limited the resolution of the mirror. For example, with a silver coating on the 100 inch Crossley reflector telescope at the Lick Observatory, the companion star to Sirius was very difficult to resolve. Using a thin (1000 Å) aluminum coating, the companion was easily seen [141]. Silver also tarnished with age, reducing the reflectivity. Aluminum, on the other hand, forms a protective oxide coating and the reflectivity remains constant. In some cases an SiO coating is applied for additional protection.
- (E-16a) Possibly the earliest known example of an aluminized astronomical mirror by John Donovan Strong is on display at the Chabot Space and Science Center, Oakland, CA. It is in their exhibit "Astronomy in California 1850-1950: Telescope Makers, Telescopes and Artifacts." The mirror is a glass parabola of 6<sup>5</sup>/<sub>32</sub> inch aperture with a front surface aluminum metallization.
- (E-17) "One of the men working for Wright was an amateur astronomer who had trouble with silver wearing off his telescopic mirror. In their lab was a machine that could vaporize aluminum so they tried coating one of his mirrors in 'that vaporizing machine.' Wright was so inspired by the results that he immediately began work on a reflector lamp. A glass custard cup was purchased at the dime store, coated with aluminum and a filament rigged up. For the lens a curved section was cut out of a giant incandescent lamp. It didn't take long to realize his idea was indeed a good one." (Quoted from [129]).
- (E-18) After WWII the Japanese camera makers (Canon and Nikon) infringed on many German camera patents. When the Germans complained, the Allied Control Commissions for both Germany and Japan took no action. This allowed the Japanese to rapidly build up their camera industry to the dismay of the Germans. (Information from "Post War Camera & Lens Design Thievery" by Marc James Small <teachnet.edb.utexas.edu/~leica/thievery>). As far as the author can tell the Japanese did not use coated optics during WWII.

- (E-19) There is some question about the amount of gas phase nucleation that occurred in Takagi's nozzle-expansion technique. It would seem that many of the effects reported by Takagi were due to accelerated ions, not accelerated atomic clusters.
- (E-20) When an American jeweler, J. Filner, who was visiting the USSR, noted the gold color of arc-vapor-deposited TiN, he brought the process to the United States in about 1980. (From [38]).
- (E-21) The "Calutron" was named for the University of California where the source was developed. The source used a confined plasma to dissociate  $UCl_4$  to provide metal ions of  $U^{235}$  and  $U^{238}$ , which is the dominant uranium isotope. The ions of the isotopes were then magnetically separated to give "enriched" and "weapons grade" (93.3%  $U^{235}$ ) uranium. The design of this source was considered classified for many years after WWII.
- (E-22) Mattox conceived of the ion plating process while discussing the adhesion of metal films to metal with proponents of the theory that diffusion was necessary for good adhesion. Mattox maintained that a clean surface (interface) was a sufficient criterion. Mattox knew that sputter cleaning was being used to produce atomically clean surfaces in ultra-high vacuum for low-energy electron-diffraction (LEED) studies. Using what became the ion plating process, Mattox demonstrated good adhesion between silver films and iron substrates—iron and silver have no solubility even in the molten state. Later silver (a low-shear-strength metal) on steel bearings for solid-film tribological use became an important application of ion plating.
- (E-22a) Mattox first reported on the ion plating process at the summer Gordon Research Conference on Adhesion in 1963. His paper was scheduled for Thursday evening after the all-you-can-eat lobster dinner. It was not until Wednesday that he received clearance from the Sandia Patent Office to present the paper. After the lobster dinner he presented the paper and the paper and subsequent discussion ran on for over three hours! Mattox often said it was one of the most difficult papers that he ever presented.
- (E-23) Ivadizer™ is the trademark of the McDonnell Douglas Corp., which marketed the equipment for many years as well as coating production parts themselves.
- (E-24) The term "diamond-like carbon" (DLC) was first used by S. Aisenberg in 1972 [271]. Some authors use this term to describe hard carbon films with a low hydrogen content, and the term "diamond-like hydrocarbon" (H-DLC) films for hard carbon films containing appreciable hydrogen [E-24-1]. The term "i-C" has also been used for ionized and accelerated carbon ions [E-24-2]. The term "a-C" is used for amorphous carbon. Metal-containing DLC coatings were developed in the mid 1980s for tribological coatings [E-24-3] and are designated Me-DLC. Metal-containing  $MoS_2$  coatings had previously been used in tribological applications.
- [E-24-1] "Carbon Thin Films," J.C. Angus, P. Koidl, and S. Domitz, p. 89 in *Plasma Deposited Thin Films*, edited by J. Mort and F. Hansen, CRC Press (1986)
- [E-24-2] C. Weismantel, C. Schürer, R. Frohlich, P. Grau, and H. Lehmann, *Thin Solid Films*, 61, L5 (1979)
- [E-24-3] H. Dimigen, H. Hübsch, and R. Memming, "Tribological and Electrical Properties of Metal-Containing Hydrogenated Carbon Films," *Appl. Phys. Lett.*, 50, 1056 (1987)
- (E-25) One of the first experiments on using UV/O<sub>3</sub> cleaning involved using a "black light" purchased at a gem and mineral store. A clean glass slide (clean as determined by a "water drop wetting angle" test) was placed on a stainless steel bench top in the lab. The black light (UV source) was placed over it and the wetting angle monitored for several weeks. No change was found. The control slide, with no black light, showed wetting angle increases within the first hour. Recontamination was by adsorption of vapors from the atmosphere.
- (E-26) "Clean bench" or "clean room" is somewhat of a misnomer in that the air is generally only cleaned of particles and *not* vapors. In rare cases activated carbon filters are also used to remove vapors.
- (E-27) When preparing to aluminize the Palomar mirror, John Strong notified the mirror polishers that he would be using a new cleaning technique using "a special fatty acid compound with precipitated chalk." When he arrived the "special fatty acid compound" was Wild Root Cream Oil hair tonic (ad jingle—"You better get Wild Root Cream Oil, Charlie; It keeps your hair in trim; Because it's non-alcoholic, Charlie; It's made with soothing lanolin"). He stated, "In order to get glass clean you first have to get it properly dirty." The oil residue was "burned-off" using an oxygen plasma in the vacuum deposition chamber. (From [149].)
- (E-28) Rev. Hannibal Goodwin was a pastor who developed the flexible photographic film in 1887 to replace glass-plate negatives and make it easier to photograph travelogues to holy sites. Eastman

Kodak worked to prevent his patenting the idea until 1898 when Rev. Goodwin was granted his patent. After that Kodak infringed on the patent and the litigation was not settled until after WWI in favor of Ansco (\$5M) who had bought the patent rights after Goodwin was killed in a street accident in 1900.

(E-29) In 1936 the company Evaporated Metal Films was formed in Ithaca, New York, by Robley Williams, John Ruedy, and Joel Ufford, all of Cornell University. This company is still in business as a privately held company and is probably the oldest “contract coating” firm performing vacuum coating in the USA.



# References

1. *Vapor Deposition*, edited by Carrol F. Powell, Joseph H. Oxley, and John M. Blocher, Jr., John Wiley (1966)
2. *Vacuum Deposition of Thin Films*, L. Holland, Chapman Hall (1956)
3. H.-D. Steffens, H.-M. Hohle, and E. Erturk, "Low Pressure Plasma Spraying of Reactive Materials," *Thin Solid Films*, 73, 19 (1980)
4. *Handbook of Thick Film Technology*, P.J. Holmes and R.G. Loasby, Electrochemical Publication Ltd. (1976)
5. *History of Vacuum Science and Technology*, edited by Theodore E. Madey and William C. Brown (American Vacuum Society), American Institute of Physics (1984)
6. *Vacuum Science and Technology: Pioneers of the 20th Century*, edited by Paul Redhead, AIP Press (1994)
7. *Adventures in Vacuum*, M.J. Sparnaay, North-Holland (1992)
8. R.K. Waits, "Vacuum Through the Years," *Vacuum & Thin Films*, 2(1) 32 (1999)
9. <http://www.iuvsta.org/vsd/biblio.htm>—extensive bibliography of vacuum science and technology texts; also The Belljar, <http://www.tiac.net/users/shansen/belljar/>
10. Georgius Agricola, *De Re Metallica (Secrets of Mining & Refining)*, (1556), (translated by Herbert Hoover and Lou Henry Hoover), Dover Publications (1950)
11. C.R. Meissner, "Liquid Nitrogen Cold Traps," *Rev. Sci. Instrum.*, 26, 305 (1955); also *Vacuum Technology and Space Simulation*, Donald J. Santeler, Donald W. Jones, David H. Holkeboer, and Frank Pagano, NASA SP-105, NASA (1966); also *Capture Pumping Technology*, Kimo M. Welch, Elsevier Science (2001)
12. R.K. Waits, "Evolution of Integrated-Circuit Vacuum Processes: 1959–1975," *J. Vac. Sci. Technol.*, A18(4) 1736 (2000)
- 12a. J.G. Simmons and L.I. Maissel, "Multiple Cathode Sputtering System," *Rev. Sci. Instrum.*, 32, 542 [1961]; also L.I. Maissel and J.H. Vaughn, "Techniques for Sputtering Single and Multilayer Films of Uniform Resistivity," *Vacuum* 13, 421 (1963)
- 12b. Sidney S. Charschan and Harald Westgaard, "Apparatus for Processing Materials in a Controlled Atmosphere," U.S. Patent 3,294,670 (Dec. 27, 1966)
- 12c. W.L. Shockley, E.L. Geissinger, and L.A. Svach, "Automatic Sputtering of Tantalum Films for Resistor and Capacitor Fabrication," *IEEE Transactions on Components and Parts*, CP11, 34 (1964); also *Thin Film Technology*, Robert W. Berry, Peter M. Hall, and Murray T. Harris, p. 250, Van Nostrand Reinhold (1968)
- 12d. Joseph S. Mathias, Alfred A. Adomines, Richard H. Storck and John McNamara, "Evaporation System," U.S. Patent 3,404,661 (Oct. 8, 1968); also William C. Lester and Ernest S. Ward, "Continuous Vacuum Process Apparatus," U.S. Patent 3,652,444 (Feb. 28, 1972)
13. *Silicon Processing for the VLSI Era: Vol. 1: Process Technology* (second edition), S. Wolf and R.N. Tauber, Section 6.2.5.3 (2000)
- 13a. H.R. Smith and C.d'A. Hunt, "Methods of Continuous High Vacuum Strip Processing," p. 227 in *Transactions of The Vacuum Metallurgy Conference*, American Vacuum Society (1964)
14. D.M. Mattox, "Steady State and 'Transit' Conduction," *Vac. Technol. Coat.*, 2(6) 20 (2001); also C. Hayashi, "The Role of Adsorption in Production and Measurement of High Vacuum," *Vacuum Technology Transactions—Proceeding of the Fourth National Symposium*, American Vacuum Society, p. 13, Pergamon Press (1957)
15. *Vacuum Arcs: Theory and Practice*, edited by J.W. Lafferty, John Wiley (1980)
16. *Alessandro Volta and the Electric Battery*, Bern Dibner, Franklin Watts, Inc. (1964)
17. *A History of Electricity and Magnetism*, Herbert W. Meyer, Brundy Library (MIT) (1971)
18. *Benjamin Franklin, Electrician*, Bern Dibner, Brundy Library (MIT) (1971)
19. *The Founders of Electrochemistry*, Samuel Ruben, Dorrance & Co. (1975)
20. *The Birth of the Vacuum Tube: The Edison Effect*, Fernand E. d'Humy, Newcomen Society (1949); also *The Edison Effect*, Harold G. Bowen, The Thomas Alva Edison Foundation (1951); also *The Edison Effect*, Ron Ploof, Cypress Publications (1995)
21. Gunter Mark, "Low Frequency Pulsed Bipolar Power Supply for a Plasma Chamber," U.S. Patent #5,303,139 (April 12, 1994)
22. J.E. Brittain, "The Magnetron and the Beginnings of the Microwave Age," *Physics Today*, p. 60 (July 1985)

23. *The Electrochemistry of Gases and Other Dielectrics*, G. Glocker and S.C. Lind, John Wiley & Sons (1939)
24. *Plasma Chemistry in Electrical Discharges*, F.K. McTaggart, Elsevier (1967); also S. Veprek, "Plasma-Induced and Plasma-Assisted Chemical Vapour Deposition," *Thin Solid Films* 130, 135 (1985); also S.C. Brown in *Gaseous Electronics*, edited by J.W. McGowan and P.K. John, North-Holland Publishing (1974)
25. *Glow Discharge Processes*, Brian Chapman, Wiley-Interscience (1980); also *Cold Plasmas in Materials Fabrication: From Fundamentals to Applications*, Alfred Grill, IEEE Publications (1994)
26. "The Historical Development of Controlled Ion-Assisted and Plasma-Assisted PVD Processes," D.M. Mattox, p. 109 in *Proceedings of the 40th Annual Technical Conference*, Society of Vacuum Coaters (1997)
27. *Fundamentals of Gaseous Ionization and Plasma Electronics*, E. Nasser, Wiley Interscience (1972)
28. D.E. Hull, "Induction Plasma Tube," U.S. Patent #4,431,901 (Feb. 14, 1984)
29. P.D. Reader, "Ion Beam Sources, Past, Present and Future," p. 3 in *Proceedings of the 42nd Annual Technical Conference*, Society of Vacuum Coaters (1999); also H.R. Kaufman, J.J. Cuomo, and J.M.E. Harper, "Technology and Application of Broad-Beam Ion Sources Used in Sputtering: Part 1—Ion Source Technology," *J. Vac. Sci. Technol.*, 21(3) 725 (1982); also J.E. Keem, "The History, Theory, and Application of Ion Sources," *Vac. Technol. Coat.*, 3(9) 46 (2002)
- 29a. J.D. Gow and L. Ruby, "Simple, Pulsed Neutron Source Based on Cross-Field Trapping," *Rev. Sci. Instrum.*, 30(5) 315 (1959)
30. N.V. Filipova, T.I. Filipova, and V.P. Vingredov, *Nuclear Fusion Suppl.*, 2, 577 (1962); also J.W. Mather, *Physics of Fluids Suppl.*, 7, 5 (1964)
31. J.M. Lafferty, "History of the International Union for Vacuum Science, Technique, and Applications: Review Article," *J. Vac. Sci. Technol.*, A5(4) 405 (1987)
32. United States Court of Appeals for the Federal Circuit, Opinion 00-1241, Litton Systems Inc. v. Honeywell Inc. (Decided: February 5, 2001); also Litton Sys., Inc. v. Honeywell, Inc. 87 F.3d 1559, 39 USPQ2d 1321 (Fed. Cir. 1996); also United States Court of Appeals for the Federal Circuit 95-1242-1311 (Decided: July 3, 1996)
33. *Handbook of Plasma Processing Technology*, edited by Stephen M. Rossnagel, Jerome J. Cuomo, and William D. Westwood, William Andrew Publishing/Noyes Publications (1990)
34. *Thin Film Processes*, edited by John L. Vossen and Werner Kern, Academic Press (1979)
35. W.R. Grove, "On the Electrochemical Polarity of Gases," *Phil. Trans. Royal. Soc. (London)*, B142, 87 (1852)
36. J. Plücker, "Observations on the Electrical Discharge Through Rarefied Gases," *The London, Edinburgh and Dublin Philosophical Magazine*, 16, 409 (1858)
37. A.W. Wright, "On the Production of Transparent Metallic Films by Electrical Discharge in Exhausted Tubes," *Am. J. Sci. Arts*, Vol. 13, pp. 49-55 (1877); also "On the New Process for the Electrical Deposition of Metals and for Constructing Metal-Covered Glass Specula," *Am. J. Sci. Arts*, Vol. 14, pp. 169-178 (1878)
38. "Vacuum Arc Deposition: Early History and Recent Developments," Raymond L. Boxman, Invited Dyke Award and Lecture, pp. 1-8 in *Proceedings of XIXth Symposium on Discharges and Electrical Insulation in Vacuum*, (IEEE), Xi'an, China, September 18–20, 2000
39. D.M. Mattox, "Sputter Deposition: Early Efforts," *Plat. Surf. Finish.*, 88(9) 60 (2001); also *Vac. Technol. Coat.*, 2(9) 34 (July 2001)
40. T.A. Edison, "Art of Plating One Material on Another," U.S. Patent 526,147 (filed 1884) (Sept. 18, 1894)
41. T.A. Edison, "Process of Duplicating Phonograms," U.S. Patent #484,582 (Oct. 18, 1892); also T.A. Edison, U.S. Patent # 526,147 (Sept. 18, 1894)
42. T.A. Edison, "Process of Coating Phonograph-Records," U.S. Patent #713,863 (Nov. 18, 1902)
- 42a. G. Herdt, A. McTeer and S. Meikle, "PVD Copper Barrier/Seed Processes: Some Considerations for the 0.15 um Generation and Beyond," *Semiconductor Fabtech*. 11, 259 (1999).
43. T.A. Edison, U.S. Patent #1,163,329 (Dec. 1915)
44. W. Crookes, "On Electrical Evaporation," *Scientific American Supplement*, Vol. 32 (811) pp. 12958–12960, July 18 (1891); also *Proc. Roy. Soc. (London)*, 50, 88 (1891)
45. "Note on the Production of Mirrors by Cathodic Bombardment," F. Simeon, p. 26 in *The Making of Reflecting Surfaces*, a discussion held by the Physical Society of London and the Optical Society (Nov. 26, 1920), Fleetway Press, Ltd. The text may be found in the History section of the Society of Vacuum Coaters web site, www.svc.org
46. V. Kohlschütter, *Jahrb. d. Radioaktivität*, 9, 355 (1912)

47. O. Almen and G. Bruce, *Nucl. Instrum. Meth.*, 11, 279 (1961)
48. J.S. Colligon, C.M. Hicks, and A.P. Neokleous, "Variation of the Sputtering Yield of Gold with Ion Dose," *Rad. Effects*, 18, 119 (1973); also J.S. Colligon and M.H. Patel, "Dependence of Sputtering Coefficient on Ion Dose," *Rad. Effects*, 32, 193 (1977)
49. E.V. Kornelsen, "The Interaction of Injected Helium with Lattice Defects in a Tungsten Crystal," *Rad. Effects*, 13, 227 (1972); also D. Chleck, R. Maehl, O. Cucchiara, and E. Carnevale, *Int. J. Appl. Radiation Isotopes*, 14, 581 (1963)
50. J.P. van der Slice, "Ion Energies at the Cathode of a Glow Discharge," *Phys. Rev.*, 131, 219 (1963); also J. Machet, P. Saulnier, J. Ezquerra, and J. Gulle, "Ion Energy Distribution in Ion Plating," *Vacuum*, 33, 279 (1983); also G.J. Kominiak and J.E. Uhl, "Substrate Surface Contamination from Dark-Space Shielding During Sputter Cleaning," *J. Vac. Sci. Technol.*, 13(6) 1193 (1976)
51. I.C. Gardner and F.A. Case, "The Making of Mirrors by the Deposition of Metals on Glass," Bureau of Standards, Circular #389 (January 1931) (available from Lindsay Publications as "How to Make Mirrors" which does not give the names of the original authors)
52. "Vacuum Web Coating—An Old Technology With a High Potential for the Future," E.O. Dietrich, R. Ludwig, and E.K. Hartwig, p. 354 in *Proceedings of the 40th Annual Technical Conference*, Society of Vacuum Coaters (1997)
53. C.J. Overbeck, *J. Opt. Soc. Am.*, 23, 109 (1933); also H. Köenig and G. Helwig, *Optik*, 7, 294 (1950)
54. G.A. Veszi, *J. Brit. Instn. Radio Eng.*, 13, 183 (1953)
55. D. Gerstenberg and C.J. Calbrick, "Effects of Nitrogen, Methane and Oxygen on the Structure and Electrical Properties of Thin Tantalum Films," *J. Appl. Phys.*, 35, 402 (1964); also *Thin Film Technology*, Robert W. Berry, Peter M. Hall, and Murray T. Harris, Van Nostrand Reinhold (1968)
56. R.W. Berry and D.J. Sloan, "Tantalum Printed Capacitors," *Proc. of IRE*, 47, 1070 (1959)
57. F.M. Penning, "Coating by Cathode Disintegration," (filed December 1935 in Germany), U.S. Patent #2,146,025 (Feb. 7, 1939); also *Physica (Utrecht)*, 3, 873 (1936)
58. F.M. Penning and J.H.A. Mobius, *Proc., K. Ned. Akad. Wet.*, 43, 41 (1940); also A.S. Penfold, *Thin Solid Films*, 171, 99 (1989)
59. J.A. Thornton and A.S. Penfold "Cylindrical Magnetron Sputtering," Sec. II-2 in *Thin Film Processes*, edited by J.L. Vossen and Werner Kern, Academic Press (1978); also J.A. Thornton, *J. Vac. Sci. Technol.*, 15, 171 (1978); also A.S. Penfold and J.A. Thornton, U.S. Patents #3,884,793 (1975), #3,995,187 (1976), #4,030,996 (1977), #4,031,424 (1977), #4,041,053 (1977), #4,111,782 (1978), #4,116,793 (1978), #4,116,794 (1978), #4,132,612 (1979), #4,132,613 (1979), and A.S. Penfold, #3,919,678 (1975)
60. D.M. Mattox, R.E. Cuthrell, C.R. Peebles, and P.L. Dreike, "Design and Performance of a Moveable-Post Cathode Magnetron Sputtering System for Making PBFA II Accelerator Ion Sources," *Surf. Coat. Technol.*, 33, 425 (1987)
61. "High Rate Sputtering with Torous Plasmatron," U. Heisig, K. Goedicke, and S. Schiller, p. 129 in *Proceedings of the 7th International Symposium on Electron and Ion Beam Science and Technology*, Electrochemical Soc. (1976); also J.A. Thornton and V.L. Hedgcoth, "Tubular Hollow Cathode Sputtering onto Substrates of Complex Shapes," *J. Vac. Sci. Technol.*, 12(1) 93 (1975)
62. "Principles and Application of Hollow Cathode Magnetron Sputtering Sources," D.A. Glocker, p. 298 in *Proceedings of the 38th Annual Technical Conference*, Society of Vacuum Coaters (1995); also D.E. Diegfried, D. Cook, and D.A. Glocker, "Reactive Cylindrical Magnetron Deposition of Titanium Nitride and Zirconium Nitride Films," p. 97 in *Proceedings of the 39th Annual Technical Conference*, Society of Vacuum Coaters (1996)
63. G.S. Anderson, W.N. Mayer, and G.K. Wehner, *J. Appl. Phys.*, 33, 2991 (1962); also G.S. Anderson and R.M. Moseson, U.S. Patent #3,233,137 (Nov. 1966)
64. "Sputtering by Ion Bombardment," G.K. Wehner, p. 239 in *Advances in Electronics and Electron Physics*, Vol. VII, Academic Press (1955)
65. J.K. Robertson and C.W. Clapp, *Nature*, 132, 479 (1933)
66. P.D. Davidse and L.I. Maissel, *J. Appl. Phys.*, 37, 574 (1966); also *Vacuum*, 17, 139 (1967); also "Apparatus for Cathode Sputtering Including a Shielded RF Electrode," (filed Jan. 28, 1965), U.S. Patent #3,369,991 (Feb. 20, 1968)
67. J. Hohenstein, "Cermet Resistors by Concurrent RF and dc Sputtering," *J. Vac. Sci. Technol.*, 5(2) 65 (1968)
68. H.S. Butler and G.S. Kino, *Phys. Fluids*, 6, 1346 (1963)
69. G.K. Wehner, "Growth of Solid Layers on Substrates Which are Kept Under Ion Bombardment Before and During Deposition," (filed April 27, 1959), U.S. Patent #3,021,271 (Feb. 1962)

70. L.I. Maissel and P.M. Schaible, "Thin Films Deposited by Bias Sputtering," *J. Appl. Phys.*, 36, 237 (1965); also O. Christensen, "Characteristics and Applications of Bias Sputtering," *Solid State Technol.*, 13, 39 (Dec. 1970)
71. H.C. Cooke, C.W. Covington, and J.F. Libsch, "The Preparation and Properties of Sputtered Aluminum Thin Films," *Trans. Metallurgical Soc.*, AIME, 236, 314 (1966)
72. F.M. d'Heurle, "Resistivity and Structure of Sputtered Molybdenum Films," *Trans. Metallurgical Soc.*, AIME, 236, 321 (1966)
73. R.D. Ivanov, G.V. Spivak, and G.K. Kislova, *Izv. Akad. Nauk SSSR Ser. Fiz.*, 25, 1524 (1961); also J. Edgecumbe, L.G. Rosner, and D.E. Anderson, *J. Appl. Phys.*, 35, 2198 (1964); also "Application of Sputtering to the Deposition of Films," Leon Maissel, Ch. 4, p. 4–8 in *Handbook of Thin Film Technology*, edited by Leon I. Maissel and Reinhardt Glang, McGraw-Hill Publishers (1970)
74. T.C. Tisone, "Low Voltage Triode Sputtering with a Confined Plasma," *J. Vac. Sci. Technol.*, 12(5) 1058 (1975)
75. W.W.Y. Lee and D. Oblas, *J. Appl. Phys.*, 46, 1728 (1975); also H.S.W. Massey and E.H.S. Burhop, *Electronic and Ionic Impact Phenomena*, Oxford University Press (1952); also H.G. Hagstrum, p. 1 in *Inelastic Ion Surface Collisions*, edited by N.H. Tolk, J.C. Tully, W. Heiland, and C.W. White, Academic Press (1977); also W. Molthan, *Z. Physik*, 98, 227 (1936)
76. R.E. Jones, C.L. Standley, and L.I. Maissel, "Re-emission Coefficients of Si and SiO<sub>2</sub> Films Deposited Through RF and DC Sputtering," *J. Appl. Phys.*, 38, 4656 (1967); also D.W. Hoffman, "Intrinsic Resputtering—Theory and Experiment," *J. Vac. Sci. Technol.*, A8(5) 3707 (1990)
77. R.L. Sandstrom, W.L. Gallagher, T.R. Dingle, R.H. Koch, R.B. Laibowitz, A.W. Kleinssasser, R.J. Gambino, and M.F. Chisolm, *Appl. Phys. Lett.*, 53, 444 (1986); also A.J. Drehman and M.W. Dumais, "Substrate Bias Effects During RF Sputtering of Y-Ba-Cu-O Films," *J. Mat. Res.*, 5(4) 677 (1990)
78. H.F. Winters and E. Kay, "Gas Incorporation into Sputtered Films," *J. Appl. Phys.*, 38, 3928 (1967); also J.J. Cuomo and R.J. Gambino, "Incorporation of Rare Gases in Sputtered Amorphous Metal Films," *J. Vac. Sci. Technol.*, 14, 152 (1977); also D.M. Mattox and G.J. Kominiak, "Incorporation of Helium in Deposited Gold Films," *J. Vac. Sci. Technol.*, 8, 194 (1971)
79. D.J. Ball, *J. Appl. Phys.*, 43, 3047 (1972)
80. J.L. Vossen and J.J. O'Neill, Jr., "DC Sputtering with RF-Induced Bias," *RCA Rev.*, 29, 566 (1968)
81. F. Vratny, B.H. Vromen, and A.J. Harendza-Harinxma, "Anodic Tantalum Oxide Dielectrics Prepared from Body-Centered-Cubic Tantalum and Beta-Tantalum Films," *Electrochem. Technol.*, 5, 283 (1967)
82. "Bias Sputtering of Molybdenum Films," R. Glang, R.A. Holmwood, and P.C. Furois, p. 643 in *Transactions of the 3rd International Vacuum Congress* (1965)
83. E. Kay, "Magnetic Effects on an Abnormal Truncated Glow Discharge and Their Relation to Sputtered Thin-Film Growth," *J. Appl. Phys.*, 34 (4, Part 1) 760 (1963); also K. Wasa and S. Hayakawa, "Efficient Sputtering in a Cold-Cathode Discharge in Magnetron Geometry," *Proceedings of the IEEE*, 55, 2179 (1967); also S.D. Gill and E. Kay, "Efficient Low Pressure Sputtering in a Large Inverted Magnetron Suitable for Film Synthesis," *Rev. Sci. Instrum.*, 36, 277 (1965); also K. Wasa and S. Hayakawa, "Low Pressure Sputtering System of the Magnetron Type," *Rev. Sci. Instrum.*, 40(5) 693 (1969); also Kiyotaka Wasa and Shigeru Hayakawa, "Method of Producing Thin Films by Sputtering," U.S. Patent #3,528,902 (Sept. 15, 1970)
84. W. Knauer, "Ionic Vacuum Pump," (filed Sept. 10, 1962), U.S. Patent #3,216,652 (Nov. 9, 1965)
85. "Alternative Ion Pump Configurations Derived From a More Thorough Understanding of the Penning Discharge," W. Knauer and E.R. Stack, p. 180 in *Proceedings of the 10th National Vacuum Symposium*, American Vacuum Society (1963)
86. P.J. Clark(e), "Sputtering Apparatus" (filed Nov. 1968), U.S. Patent #3,616,450 (Oct. 26, 1971); (NOTE: on Clarke's patent the name is P.J. Clark which is in error and has been the source of some erroneous references); also D.B. Fraser, "The Sputter (gun) and S-Gun Magnetrons," Ch II-2 in *Thin Film Processes*, edited by John L. Vossen and Werner Kern, Academic Press (1979)
87. J.R. Mullaly, "A Crossed-Field Discharge Device for High Rate Sputtering," RFP-1310, USAEC contract AT929-1-1106 (Nov. 13, 1969); also *R&D Mag.*, p. 40 (Feb. 1971); also (E-11)
88. J.F. Corbani, "Cathode Sputtering Apparatus," (filed July 1973), U.S. Patent #3,878,085 (April 15, 1975)
89. J.S. Chapin, "Sputtering Process and Apparatus," (filed Jan. 1974), U.S. Patent #4,166,018 (Aug. 28, 1979); also *R&D Mag.*, 25 (1) 37 (1974); also "Planar Magnetron Sputtering," R.K. Waits, Ch. II-4 in *Thin Film Processes*, edited by John L. Vossen and Werner Kern, Academic Press (1979); also "Magnetron Sputtering," A.S. Penfold, Sec. A3.2 in *Hand-*

- book of Thin Film Process Technology*, edited by David A. Glocker and S. Ismat Shah, IOP Publishing (1994)
90. "An Energy Efficient Window System: Final Report," Day Charoudi, Suntek Research Assoc., p. 49 in LBL-9307, UC-95d: EEB-W-79-10, Contract #W-7405-ENG-48 (August 1977)
  91. W.W. Carson, "Sputter Gas Pressure and dc Substrate Bias Effects on Thick RF-Diode Sputtered Films of Ti Oxycarbides," *J. Vac. Sci. Technol.*, 12, 845 (1975); also "Recent Advances in Ion Plating," D.M. Mattox, p. 443, *Proceedings of the Sixth International Vacuum Congress, (Japan J. Appl. Phys. Suppl. 2, Pt. 1), Kyoto (1974)*
  92. B. Windows and N. Savvides, "Unbalanced Magnetrons as Sources of High Ion Fluxes," *J. Vac. Sci. Technol.*, A4(3) 453 (1986); also *J. Vac. Sci. Technol.*, A(2) 196 (1986); also N. Savvides and B. Windows, *J. Vac. Sci. Technol.*, A4(3) 504 (1986); also "Unbalanced Magnetron Sputtering," S.L. Rohde, p. 235 in *Plasma Sources for Thin Film Deposition and Etching, Physics of Thin Films*, Vol. 18, edited by Maurice H. Francombe and John L. Vossen, Academic Press (1994)
  93. D.G. Teer, *Surf. Coat Technol.*, 36, 901 (1988); also D.G. Teer, *Surf. Coat. Technol.*, 39/40, 565 (1989); also D.G. Teer, "Magnetron Sputter Ion Plating," U.S. Patent #5,556,519 (Aug. 17, 1996); also S. Kadlec, J. Müsil, and W.-D. Münz, "Sputtering Systems With Magnetically Enhanced Ionization for Ion Plating of TiN Films," *J. Vac. Sci. Technol.*, A8(3) 1318 (1990); also Y. Arnal, J. Pelletier, C. Pomot, B. Petit, and A. Durandet, *Appl. Phys. Lett.*, 45, 132 (1984)
  94. Peter D. Davids, Joseph S. Logan, and Fred S. Maddocks, "Method for Sputtering a Film on an Irregular Surface," U.S. Patent #3,755,123 (Aug. 28, 1973)
  95. F. Vratny "Deposition of Tantalum and Tantalum Oxide by Superimposing RF and DC Sputtering," *J. Electrochem. Soc.*, 114(5) 505 (1967)
  96. R.L. Cormia "Method for Coating a Substrate," U.S. Patent #4,046,659 (Sept. 6, 1977); also Robert Cormia, "Oral History Interview," Society of Vacuum Coaters (2002), available from SVC; also [www.svc.org](http://www.svc.org)
  97. H.E. McKelvey, "Magnetron Cathode Sputtering Apparatus," U.S. Patent #4,356,073 (Oct. 26, 1982)
  98. Russ Hill, private communication
  99. Fazle S. Quazi, "Method and Apparatus for Sputtering a Dielectric Target or for Reactive Sputtering," (filed Feb. 1986), U.S. Patent #4,693,805 (Sept. 15, 1987)
  100. E.M. Honig, "Generation of a 75-MW 5-kHz Pulse Train from an Inductive Energy Store," *IEEE Trans. Plasma Sci.*, PS-12(1) 24 (1984); also G.A. Farrall, "Arc Extinction Phenomena in Vacuum," *J. Appl. Phys.*, 42(8) 3084 (1971)
  101. P. Frach, U. Heisig, Chr. Gottfried, and H. Walde, "Aspects and Results of Long-Term Stable Deposition of Al<sub>2</sub>O<sub>3</sub> With High Rate Pulsed Reactive Magnetron Sputtering," *Surf. Coat. Technol.*, 59, 177 (1993)
  102. G. Este and W.D. Westwood "A Quasi-direct-current Sputtering Technique for the Deposition of Dielectrics at Enhanced Rates," *J. Vac. Sci. Technol.*, A6(3) 1845 (1988)
  103. D.A. Glocker, private communication; also D.A. Glocker, "Influence of the Plasma on Substrate Heating During Low Frequency Reactive Sputtering of AlN," *J. Vac. Sci. Technol.*, A11(6) 2989 (1993)
  104. M. Scherer, J. Schmitt, R. Latz, and M. Schanz, "Reactive Alternating Current Magnetron Sputtering of Dielectric Layers," *J. Vac. Sci. Technol.*, A10(4) 1772 (1992)
  105. "AC Reactive Sputtering with Inverted Cylindrical Magnetrons," D.A. Glocker, V.W. Lindberg, and A.R. Woodard, p. 81 in *Proceedings of the 43rd Annual Technical Conference*, Society of Vacuum Coaters (2000)
  106. W.-D. Münz, *Surf. Coat. Technol.*, 48, 81 (1991); also W.-D. Münz and F.J.M. Hauser, *Surf. Coat. Technol.*, 49, 161 (1991)
  - 106a. J.J. Cuomo and S.M. Rossnagel, "Hollow-Cathode-Enhanced Magnetron Sputtering," *J. Vac. Sci. Technol.*, A4, 393 (1986); also J.M. Schneider, A.A. Voevodin, C. Rebholz, and A. Matthews, "Microstructural and Morphological Effects on the Tribological Properties of Electron Enhanced Magnetron Sputtered Hard Coatings," *J. Vac. Sci. Technol.*, A13(4) 2189 (1995)
  107. Douglas S. Schatz and Richard A. Scholl, "Continuous Deposition of Insulating Material Using Multiple Anodes Alternating Between Positive and Negative Voltages," U.S. Patent #5,897,753 (Apr. 27, 1999); also "Reactive Sputtering Using a Dual-Anode Magnetron System," A. Belkind, Z. Zhao, D. Carter, G. McDonough, G. Roche, and R. Scholl, p. 130 in *Proceedings of the 44th Annual Technical Conference*, Society of Vacuum Coaters (2001)
  108. "Flat Plate Magnetron Sputtering Device," Chikara Hatashi, Komiya Muneharu, and Kusumoto Toshio, Japanese application #JP1985000154062 (July 15, 1985); also S.M. Rossnagel, D. Mikalsen, H. Kinoshita, and J.J. Cuomo, "Collimated Magnetron

- Sputter Deposition," *J. Vac. Sci. Technol.*, A9(2) 261 (1991); also Steven Hurwitt, "Extended Lifetime Collimator," U.S. Patent #5,223,108 (1993)
- 108a. N. Motegi et al, "Long-Throw Low-Pressure Sputtering Technology for Very Large-Scale Integrated Devices," *J. Vac. Sci. Technol.*, B13(4) 1906 (1995)
109. Th. Jung and A. Westphal, "High Rate Deposition of Alumina Films by Reactive Gas Flow Sputtering," *Surf Coat Technol.*, 59, 171 (1993)
110. S.M. Rossnagel and J. Hopwood, "Metal Deposition from Ionized Magnetron Sputtering," *J. Vac. Sci. Technol.*, B12(1) 449 (1994)
111. R.C. Krutenat and W.R. Gesick, "Vapor Deposition by Liquid Phase Sputtering," *J. Vac. Sci. Technol.*, 7(6) S40 (1970)
112. N. Hosokawa, T. Tsukada, and H. Kitahara, *Proceedings of the 8th International Vacuum Congress*, Cannes, France, *LeVide Suppl.*, 201, 11 (1980); also R. Kukla, T. Krug, R. Ludwig, and K. Wilmes, *Vacuum*, 41, 1968 (1990); also W.M. Posadowski, *Surf. Coat. Technol.*, 49, 290 (1991); also "Self-Sputtering With DC Magnetron Source: Target Material Considerations," Z.J. Radzinski and W.M. Posadowski, p. 389 in *Proceedings of the 37th Annual Technical Conference*, Society of Vacuum Coaters (1994)
113. K.L. Chopra and M.R. Randlett, *Rev. Sci. Instrum.*, 38, 1147 (1967); also P.H. Schmidt, R.N. Castellano, and E.G. Spenser, *Solid State Technol.*, 15, 27 (1972); also "Ion Beam Deposition," J.M.E. Harper, Sec. II-5 in *Thin Film Processes*, edited by John L. Vossen and Werner Kern, Academic Press (1979); also W.D. Westwood and S.J. Ingrey, "Fabrication of Optical Wave-guides by Ion Beam Sputtering," *J. Vac. Sci. Technol.*, 13, 104 (1976); also *Ion Beam Etching, Sputtering and Plating*, edited by C. Weissmantel and G. Gautherin, Elsevier (1978)
114. H.R. Kaufman, J.J. Cuomo, and J.M.E. Harper, "Technology and Application of Broad-Beam Ion Sources Used in Sputtering: Part 1—Ion Source Technology," *J. Vac. Sci. Technol.*, 21(3) 725 (1982)
115. R.P. Netterfield, W.G. Sainty, P.J. Martin, and S.H. Sie, "Properties of CeO<sub>2</sub> Thin Films Prepared by Oxygen-Ion-Assisted Deposition," *Appl. Opt.*, 24, 2267 (1985)
116. David T. Wei and Anthony W. Louderback, "Method For Fabricating Multi-Layer Optical Films," Patent #4,142,958 (March 6, 1979)
117. D.M. Mattox and G.J. Kominiak, "Structure Modification by Ion Bombardment During Deposition," *J. Vac. Sci. Technol.*, 9, 528 (1972); also R.D. Bland, G.J. Kominiak, and D.M. Mattox, "Effect of Ion Bombardment During Deposition of Thick Metal and Ceramic Deposits," *J. Vac. Sci. Technol.*, 11, 671 (1974); also K.H. Müller, "Monte Carlo Calculations for Structural Modification in Ion-Assisted Thin Film Deposition," *J. Vac. Sci. Technol.*, A4(2) 184 (1986)
118. B.A. Movchan and A.V. Demchishin, "Study of the Structure and Properties of Thick Vacuum Condensates of Nickel, Titanium, Tungsten, Aluminum Oxide and Zirconium Oxide," *Phys. Met. Metallogr.*, (translation from the Russian), 28, 83 (1969); also A. Van der Drift, "Evolutionary Selection: A Principle Governing Growth Orientation in Vapour-Deposited Layers," *Philips Res. Report*, 22, 267 (1967); also A.G. Dirks and H.J. Leamy, "Columnar Microstructure in Vapor Deposited Thin Films," *Thin Solid Films*, 47, 219 (1977)
119. J.A. Thornton, "High Rate Thick Film Growth," *Ann. Rev. Mater. Sci.*, 7, 239 (1977)
120. R. Messier, A.P. Giri, and R.A. Roy, "Revised Structure Zone Model for Thin Film Physical Structure," *J. Vac. Sci. Technol.*, A2, 500 (1984)
121. J.W. Patten, "The Influence of Surface Topography and Angle of Adatom Incidence on Growth Structure in Sputtered Chromium," *Thin Solid Films*, 63, 121 (1979); also P. Bai, J.F. McDonald, and T.M. Lu, "Effects of Surface Roughness on the Columnar Growth of Cu Films," *J. Vac. Sci. Technol.*, A9(4) 2113 (1991)
122. N.O. Young and J. Kowal, *Nature*, 183, 104 (1959); also K. Robbie, M.J. Brett, and A. Lakhtakia, *J. Vac. Sci. Technol.*, A13, 2991 (1995); also K. Robbie and M.J. Brett, "Sculpted Thin Films and Glancing Angle Deposition: Growth Kinetics and Applications," *J. Vac. Sci. Technol.*, 15(3) 1460 (1997); also K. Robbie and M.J. Brett, U.S. Patent #5,866,204 (1999); also R. Messier, T. Gehrke, C. Frankel, V.C. Venugopal, W. Otaño, and L. Lakhtakia, *J. Vac. Sci. Technol.*, A15, 2148 (1997); also R. Messier, A. Lakhtakia, V.C. Venugopal, and P. Sunal, "Sculptured Thin Films: Engineered Nanostructural Materials," *Vac. Technol. Coat.*, 2(10) 40 (2001); also M. Malac, R. Egerton, and M. Brett, "Thin Films Deposited at Glancing Incidence and Their Applications," *Vac. Technol. Coat.*, 2(7) 48 (2001)
123. J.A. Thornton and D.W. Hoffman, *J. Vac. Sci. Technol.*, 14, 164 (1977); also D.W. Hoffman and J.A. Thornton, "Effects of Substrate Orientation and Rotation on the Internal Stresses in Sputtered Metal Films," *J. Vac. Sci. Technol.*, 16, 134 (1979)
124. D.M. Mattox, R.E. Cuthrell, C.R. Peebles, and P.L. Dreike, "Preparation of Thick Stress-Free Mo Films for a Resistively Heated Ion Source," *Surf. Coat. Technol.*, 36, 117 (1988); also "Residual Stress, Fracture and Adhesion in Sputter Deposited Mo-

- lybdenum Films,” D.M. Mattox and R.E. Cuthrell, p. 141 in *Adhesion in Solids*, edited by D.M. Mattox, J.E.E. Baglin, R.E. Gottchall, and C.D. Batich, Vol. 119, *MRS Symposium Proceedings* (1988)
125. W.D. Sproul and James R. Tomashek, “Rapid Rate Reactive Sputtering of a Group IVB Metal,” U.S. Patent #4,428,811 (Jan. 31, 1984)
126. J.E. Greene and F. Sequeda-Osorio, “Glow Discharge Spectroscopy for Monitoring Sputter Deposited Film Thickness,” *J. Vac. Sci. Technol.*, 10(6) 1144 (1973); also S. Schiller, U. Heisig, K. Steinfelder, J. Strümpfel, R. Voigt, R. Fendler, and G. Teschner, “On the Investigation of d.c. Plasmatron Discharges by Optical Emission Spectroscopy,” *Thin Solid Films*, 96, 235 (1982); also S. Schulz and J. Strümpfel, “Plasma Emission Monitoring,” *Vac. Technol. Coat.*, 2(8) 42 (2001)
127. B.J. Curtis, “Optical End-Point Detection for Plasma Etching of Aluminum,” *Solid State Technol.*, 23(4) 129 (1980); also J.A. Thornton, “Diagnostic Methods for Sputtering Plasmas,” *J. Vac. Sci. Technol.*, 15(2) 188 (1978); also R.W. Dreyfus, J.M. Jasinski, R.E. Walkup, and G.S. Selwyn, “Optical Analysis of Low Pressure Plasmas,” *Pure and Applied Chemistry*, 57(9) 1265 (1985)
128. J. Stark, *Z. Elektrochem.*, 14, 752 (1908); also *Z. Elektrochem.*, 15, 509 (1909)
129. “The Nature of Physical Sputtering,” G.K. Wehner, Chapter 3, p. 3-33, in *Handbook of Thin Film Technology*, edited by Leon I. Maissel and Reinhard Glang, McGraw-Hill Book Co. (1970)
130. *Rays of Positive Electricity*, J.J. Thompson, p. 103, Longmans, Green & Co., London (1913)
131. “Evaporation and Sputtering,” Ch. IV in *Procedures in Experimental Physics*, J. Strong, Prentice-Hall (1938)
132. “Vacuum Evaporation,” Reinhard Glang, Chapter 1 in *Thin Film Technology*, edited by Leon I. Maissel and Reinhard Glang, McGraw-Hill Book Co. (1970)
133. “Evaporation,” Rointan F. Bunshah, Ch. 4 in *Deposition Technologies for Films and Coatings: Development and Applications*, edited by Rointan F. Bunshah et al, Noyes Publications (1982), and second edition William Andrew Publishing/Noyes Publications (1994)
134. “Vacuum Evaporation and Vacuum Deposition,” Ch. 5, Sec. 5.2.1 in *Handbook of Physical Vapor Deposition (PVD) Processing*, Donald M. Mattox, William Andrew Publishing/Noyes Publications (1998)
135. H. Hertz, *Ann. Physik (Leipzig)*, 17, 177 (1882); also *Wied. Ann.*, 17, 193 (1882)
136. S. Stefan, *Wien. Ber.*, 68, 385 (1873); also S. Stefan, *Wien. Ber.*, 98, 1418 (1889)
137. M. Knudsen, *Ann. Physik*, 47, 697 (1915)
138. R.E. Honig, “Vapor Pressure Data for the More Common Elements,” *RCA Review*, 18, 195 (1957); also R.E. Honig and H.O. Hook, “Vapor Pressure for Some Common Gases,” *RCA Review*, 21, 360 (1960); also R.E. Honig, “Vapor Pressure Data for the Solid and Liquid Elements,” *RCA Review*, 23, 567 (1962); also R.E. Honig and D.A. Kramer, “Vapor Pressure Data for the Solid and Liquid Element,” *RCA Review*, 30, 285 (1969)
139. R. Nahrwold, *Ann. Physik*, 31, 467 (1887); also A. Kundt, *Ann. Physik*, 34, 469 (1888)
140. J. Stuhlmann, *J. Am. Opt. Soc.*, 1, (2) 78 (1917)
141. F. Soddy, *Proc. Roy. Soc. (London)*, 78, 429 (1907); also *Proc. Roy. Soc. (London)*, A80, 92 (1908); also I. Langmuir, *J. Am. Chem. Soc.*, 35, 931 (1913)
142. R. von Pohl and P. Pringsheim, “Über die Herstellung von Metallspiegeln durch Distillation im Vakuum,” *Verhandl. Deut. Physik. Ges.*, 14, 506 (1912); NOTE: see endnote E-14
143. I. Langmuir, *Phys. Rev.*, 2, 329 (1913)
144. R. Ritschl, *Zeits. F. Physik*, 69, 578 (1931); NOTE: see endnote E-15
145. C.H. Cartwright and J. Strong, *Rev. Sci. Instrum.*, 2, 189 (1931)
146. J. Strong, *Phys. Rev.*, 43, 498 (1933)
147. J. Strong, *Phys. Rev.*, 39, 1012 (1932); also R.C. Williams, *Phys. Rev.*, 41, 255 (1932)
148. J. Strong, *Astrophysical Journal*, 83(5) 401 (1936)
149. *The Perfect Machine: The Building of the Palomar Telescope*, Ronald Florence, pp 382-386, HarperCollins (1994)
150. “The Design and Operation of Large Telescope Mirror Aluminizers,” J.A.F. Trueman, p. 32 in *Proceedings of the 22nd Annual Technical Conference*, Society of Vacuum Coaters (1979)
151. F. Adams “Vacuum Metallizing in the Lamp Industry,” p. 48 in *Proceedings of the 23rd Annual Technical Conference*, Society of Vacuum Coaters (1980)
152. A.H. Pfund, “Highly Reflecting Films of Zinc Sulfide,” *J. Opt. Soc. Am.*, 24, 99 (1934); also A. Macleod, “The Early Days of Optical Coatings,” *J. Opt. A: Pure Appl. Opt.*, 1, 779 (1999)
153. G. Bauer, *Ann. Phys. (Leipzig)*, 19, 434 (1934)
154. A. Smakula, German Patent #DRP 685767 (filed 5 Oct. 1935) (May 1940)
155. J. Strong, “On a Method of Decreasing the Reflection from Non-metallic Substrate,” *J. Optical Soc. Am.*, 36, 73 (1936)
156. C.H. Cartwright and A.F. Turner, *Phys. Rev.*, 55, 675 (1939)

157. P. Baumeister, "The First Calculations of the Quarterwave Stack," *Proceedings of the 46th Annual Technical Conference*, Society of Vacuum Coaters (2003)—to be published
158. Collin Alexander, private communication
159. Richard A. Denton, "The Manufacture of Military Optics at the Frankfort Arsenal During WWII," *Optics News* 15, 24 (1989)
160. D.A. Lyon, U.S. Patent #2,398,382 (Nov. 1942)
161. The text of "Application of Metallic Fluoride Reflection Reducing Films to Optical Elements" may be found in the History section of the Society of Vacuum Coaters web site: [www.svc.org](http://www.svc.org)
162. "Optical Thin Film Technology—Past, Present and Future," W.P. Strickland, p. 221 in *Proceedings of the 33rd Annual Technical Conference*, Society of Vacuum Coaters (1990) [information from "Report on German Vacuum Evaporation Methods of Producing First Surface Mirrors, Semi-transparent Mirrors and Non-Reflecting Films," Combined Intelligence Objectives Sub-Committee, Intell. Div., TSFET, Report #H-2 (1945)]; also J. Strong, *Rev. Sci. Instrum.*, 6, 97 (1935)
163. Combined Intelligence Objectives Sub-committee File #XXVII-44, Item #1, "Manufacture of Metalized Paper Capacitor Units," (Germany); also [33]
164. R. Bosch, British Patent #510,642 (Aug. 1937)
165. I. Langmuir, *Proc. Nat. Acad. Sci., Wash.*, 3, 141 (1917)
166. "Vacuum Cadmium Plating," Military Specification MIL-C-8837—ASG, 3 (June 1958)
167. M. von Pirani, "Production of Homogeneous Bodies From Tantalum or Other Materials," U.S. Patent #848,600 (Mar. 26, 1907)
168. H.M. O'Brian and H.W.B. Skinner, *Phys. Rev.*, 44, 602 (1933); also H.M. O'Brian, *Rev. Sci. Instrum.*, 5, 125 (1934)
169. L. Holland, British Patent #754,102 (1951); also p. 135 in *Vacuum Deposition of Thin Films*, L. Holland, Chapman Hall (1957)
170. *Theory and Design of Electron Beams*, J.R. Pierce, D. Van Nostrand (1949)
171. S. Schiller, and G. Jäsch, "Deposition by Electron Beam Evaporation with Rates up to 50 $\mu$ m/s," *Thin Solid Films*, 54, 9 (1978)
172. B.A. Unvala and G.R. Booker, *Phil. Mag.*, 9, 691 (1964)
173. C.W. Hanks, "Apparatus for Producing and Directing an Electron Beam," U.S. Patent #3,535,428 (Oct. 20, 1970)
174. "High Rate Horizontally Emitting Electron Beam Vapor Source," H.R. Smith, p. 49 in *Proceedings of the 21st Annual Technical Conference*, Society of Vacuum Coaters (1978)
175. F.L. Schuermeyer, W.R. Chase, and E.L. King, "Self-Induced Sputtering During Electron-Beam Evaporation of Ta," *J. Appl. Phys.*, 42, 5856 (1971); also F.L. Schuermeyer, W.R. Chase, and E.L. King, "Ion Effects During E-Beam Deposition of Metals," *J. Vac. Sci. Technol.*, 9, 330 (1972)
176. "Development of Processing Parameters and Electron-Beam Techniques for Ion Plating," D.L. Chambers and D.C. Carmichael, p. 13 in *Proceedings of the 14th Annual Technical Conference*, Society of Vacuum Coaters (1971)
177. J.R. Morley and H. Smith, "High Rate Ion Production for Vacuum Deposition," *J. Vac. Sci. Technol.*, 9, 1377 (1972); also S. Komiya and K. Tsuruoka, *J. Vac. Sci. Technol.*, 12, 589 (1975); also Y.S. Kuo, R.F. Bunshah, and D. Okrent, "Hot Hollow Cathode and its Application in Vacuum Coating: A Concise Review," *J. Vac. Sci. Technol.*, A4(3), 397 (1986)
178. R.G. Picard and J.E. Joy, *Electronics*, 24, 126 (April 1951)
179. I. Ames, L.H. Kaplan, and P.A. Roland, "Crucible Type Evaporation Source for Aluminum," *Rev. Sci. Instrum.*, 37, 1737 (1966)
180. T. Hibi, *Rev. Sci. Instrum.*, 23, 383 (1952)
181. "The Significance of Impact Velocity of Vacuum-Deposited Atoms for the Structure of Thin Films," H. Fuchs and H. Gleiter, p. 4 in *Thin Films: The Relationship of Structure to Properties*, edited by C.R. Aita and K.S. SreeHarsha, *MRS Proceedings*, Vol. 47 (1985)
182. R.J. Ney, "Nozzle Beam Evaporation Source," *J. Vac. Sci. Technol.*, A1(1) 55 (1983)
183. J.J. Schmitt, "Method and Apparatus for the Deposition of Solid Films of Material from a Jet Stream Entraining the Gaseous Phase of Said Material," U.S. Patent #4,788,082 (Nov. 1988); also J.F. Groves, G. Mattausch, H. Morgner, D.D. Hass, and H.N.G. Wadley, "Directed Vapour Deposition," *Surf. Eng.*, 6(6) 461 (2000)
184. *Scientific Foundations of Vacuum Techniques*, S. Dushman, 1st edition, John Wiley (1949); also A.D. Romig, Jr., "A Time Dependent Regular Solution Model for the Thermal Evaporation of an Al-Mg Alloy," *J. Appl. Phys.*, 62, 503 (1987)
185. T. Santala and M. Adams, *J. Vac. Sci. Technol.*, 7, s22 (1970); also H.R. Barker and R.J. Hill, "The Deposition of Multicomponent Phases in Ion Plating," *J. Vac. Sci. Technol.*, 9(6) 1395 (1972)
186. L. Harris and B.M. Siegel, "A Method for the



- Evaporation of Alloys," *J. Appl. Phys.*, 19, 739 (1948); also "Flash Evaporation," J.L. Richards, p. 71 in *The Use of Thin Films in Physical Investigations*, edited by J.C. Anderson, Academic Press (1966)
187. "Methods of Continuous High Vacuum Strip Processing," H.F. Smith, Jr., and C.d'A. Hunt, *Transactions of the Vacuum Metallurgy Conference*, AVS Publications (1964); also R.F. Bunshah and R.S. Juntz, p. 200 in *Transactions of the Vacuum Metallurgy Conference*, AVS Publications (1965)
  188. A.H.F. Muggleton, "Deposition Techniques for Preparation of Thin Film Nuclear Targets: Invited Review," *Vacuum*, 37, 785 (1987)
  189. "Silicon Monoxide Evaporation Methods," C.E. Drumheller, p. 306 in *Transactions of the 7th AVS Symposium*, Pergamon Press (1960); also W.C. Vergara, H.M. Greenhouse, and N.C. Nicholas, *Rev. Sci. Instrum.*, 34, 520 (1963)
  190. loc. cit. [152]
  191. G. Hass, *J. Am. Chem. Soc.*, 33, 353 (1950); also G. Hass and C.D. Salzberg, *J. Opt. Soc. Am.*, 44, 181 (1954)
  192. M. Aüwarter, Austrian Patent #192,650 (1952); also D.S. Brinsmaid, G.J. Koch, W.J. Keenan, and W.F. Parson, U.S. Patent #2,784,115 (filed May 1953) (1957); also E. Cremer, T. Kraus, and E. Ritter, *Z. Elektrochem.*, 62, 939 (1958); also E. Ritter, "Deposition of Oxide Films by Reactive Evaporation," E. Ritter, *J. Vac. Sci. Technol.*, 3(4) 225 (1966)
  193. M. Aüwarter, U.S. Patent #2,920,002 (1960)
  194. J.T. Cox, G. Hass, and I.B. Ramsey, *J. Phys. Radium*, 25, 250 (1964)
  195. R. Nimmagadda, A.C. Raghuram, and R.F. Bunshah, "Activated Reactive Evaporation Process for High Rate Deposition of Compounds," *J. Vac. Sci. Technol.*, 9(6) 1406 (1972); also "Activated Reactive Evaporation (ARE)," R.F. Bunshah, *Handbook of Deposition Technologies for Films and Coatings*, 2nd edition, p. 134, edited by R.F. Bunshah et al, William Andrew Publishing/Noyes Publications (1994); also K. Nakamura, K. Inagawa, K. Tsuruoka, and S. Komiya, "Applications of Wear-Resistant Thick Films Formed by Physical Vapor Deposition Processes," *Thin Solid Films*, 40, 155 (1977)
  196. "Gas Evaporation and Ultrafine Particles," sec. 5.12, p. 301 in *Handbook of Physical Vapor Deposition (PVD) Processing*, Donald M. Mattox, William Andrew Publishing/Noyes Publications (1998); also C. Hayashi, "Ultrafine Particles," *Physics Today*, 40, 44 (1987); also G.D. Stein, "Cluster Beam Sources: Predictions and Limitations of the Nucleation Theory," *Surf. Sci.*, 156, 44 (1985); also J.K.G. Panitz, D.M. Mattox, and M.J. Carr, "Salt Smoke: The Formation of Submicron Sized RbCl Particles by Thermal Evaporation in 0.5-1200 Torr of Argon and Helium," *J. Vac. Sci. Technol.*, A6 (6), 3105 (1988)
  197. A.H. Pfund, "The Optical Properties of Metallic and Crystalline Powders," *J. Opt. Soc. Am.*, 23, 375 (1933); also D.M. Mattox and G.J. Kominiak, "Deposition of Semiconductor Films with High Solar Absorbivity," *J. Vac. Sci. Technol.*, 12(1) 182 (1975)
  198. T. Takagi, I. Yamada, K. Yanagawa, M. Kunori, and S. Kobiyama, "Vaporized-Metal Cluster Ion Source for Ion Plating," *Jpn. J. Appl. Phys., Suppl. 2, Pt. 1*, p. 427 (1974); also *Ionized Cluster Beam Deposition and Epitaxy*, T. Takagi, William Andrew Publishing/Noyes Publications (1988)
  199. H. Haberland, M. Karrasis, M. Mall, and Y. Thurner, "Thin Films From Energetic Cluster Impact: A Feasibility Study," *J. Vac. Sci. Technol.*, A10 (5) 3266 (1992); also H. Haberland, M. Mall, M. Mosler, Y. Qiang, T. Reiners, and Y. Thurner, "Filling of Micron-Sized Contact Holes With Copper by Energetic Cluster Impact," *J. Vac. Sci. Technol.*, A12(5) 2925 (1994)
  200. H.M. Smith and A.F. Turner, "Vacuum Deposited Thin Films Using a Ruby Laser," *Appl. Optics*, 4, 147 (1965); also J.T. Cheung and H. Sankur, "Growth of Thin Films by Laser-Induced Evaporation," *Crit. Rev. Solid State Mat. Sci.*, 15, 63 (1988)
  201. *Pulsed Laser Deposition*, edited by D.B. Chrisey and G.K. Hubler, John Wiley (1994)
  202. D. Dijkkamp, T. Venkatesan, X.D. Wu, S.A. Shaheen, N. Jisrawi, Y.H. Min-Lee, W.L. McLean, and M. Croft, *Appl. Phys. Lett.*, 51, 619 (1987); also J.T. Cheung and J. Madden, *J. Vac. Sci. Technol.*, B5, 705 (1987)
  203. D.W. Pashley, *Adv. Phys.*, 5, 173 (1956)
  204. K.Z. Günther, *Z. Naturforsch.*, 13a, 1081 (1958)
  205. J.E. Davey and T. Pankey, *J. Appl. Phys.*, 39, 1941 (1968)
  206. A.Y. Cho and J.R. Arthur, *Progress in Solid State Chemistry*, edited by G. Somorjai and J. McCaldin, Pergamon Press (1975)
  207. J.R. Knight, D. Effer, and P.R. Evans, *Solid State Electronics*, 8, 178 (1965)
  208. M. Banning, "Practical Methods of Making and Using Multilayer Filters," *J. Opt. Soc. Am.*, 37, 792 (1945)
  209. W. Steckelmacher, J.M. Parisot, L. Holland, and T. Putner, *Vacuum*, 9, 171 (1959)
  210. G. Sauerbrey, *Phys. Verhandl.*, 8, 113 (1957); also

- Z. Physik*, 155, 206 (1959); also M.P. Lotis, *J. Phys. Radium*, 20, 25 (1959)
211. D.I. Perry, "Low Loss Multilayer Dielectric Mirrors," *Appl. Optics*, 4, 987 (1965); also *Laser Induced Damage in Optical Materials 1979*, edited by Harold E. Bennett, Alexander J. Glass, Arthur H. Guenther, and Brian E. Newman, *National Bureau of Standards Special Publication #568* (1980)
212. K.H. Behrndt, "Films of Uniform Thickness Obtained from a Point Source," *Transactions of the Ninth Vacuum Symposium*, American Vacuum Society, p. 111 (1962)
213. D.A. Buck and K.R. Shoulders, "An Approach to Microminiature Systems," pp. 55-59, *Proceedings of the Eastern Joint Computer Conference*, American Institute of Electrical Engineers (1958)
214. A. Yializis, G.L. Powers, and D.G. Shaw, "A New High Temperature Multilayer Capacitor with Acrylate Dielectrics," *IEEE Transactions on Components, Hybrids, and Manufacturing Technology*, Vol. 13, #4 (Dec. 1990); also D.G. Shaw and M.G. Langlois, "Use of Vapor Deposited Acrylate Coatings to Improve the Barrier Properties of Metallized Film," p. 240 in *Proceedings of the 37th Annual Technical Conference*, Society of Vacuum Coaters (1994); also P.M. Martin, J.D. Affinito, M.E. Moss, C.A. Coronado, W.D. Bennett, and D.C. Stewart, "Multilayer Coatings on Flexible Substrates," p. 163 in *Proceedings of the 38th Annual Technical Conference*, Society of Vacuum Coaters (1995); also J. Affinito, "Polymer Film Deposition by a New Vacuum Process," p. 425 in *Proceedings of the 45th Annual Technical Conference*, Society of Vacuum Coaters (2002)
215. R. Olsen, "The Application of Thin Vacuum-Deposited Poly-para-xylene to Provide Corrosion Protection for Thin, Porous Inorganic Coatings," p. 317 in *Proceedings of the 34th Annual Technical Conference*, Society of Vacuum Coaters (1991)
216. *Handbook of Vacuum Arc Science and Technology: Fundamentals and Applications*, edited by Raymond L. Boxman, Philip J. Martin, and David M. Sanders, William Andrew Publishing/Noyes Publications (1995)
217. "Cathodic Arc Deposition," P.J. Martin, Sec. A1.3 in *Handbook of Thin Film Process Technology*, edited by David A. Glocker and S. Ismat Shah, Institute of Physics (IOP) Publishing (1995)
218. "Vacuum Arc-Based Processing," D. Sanders, Sec. V-18 in *Handbook of Plasma Processing Technology*, William Andrew Publishing/Noyes Publications (1990)
219. "The Past, Present and Future of Controlled Atmospheric Arcs," W.E. Kuhn, p.1 in *Arcs in Inert Atmospheres and Vacuum*, edited by W.E. Kuhn, John Wiley (1956); also C.A. Doremus, *Trans. Electrochem. Soc.*, 13, 347 (1908); *Electric Arcs: Experiments Upon Arcs Between Different Electrodes in Various Environments and Their Explanation*, Clement D. Child, Van Nostrand (1913); also H. Wroe, "Stabilization of Low Pressure D.C. Arc Discharges," U.S. Patent # 2,972,695 (Feb. 21, 1961); also F.J. Zanner and L.A. Bertram, "Behavior of Sustained High-Current Arcs on Molten Alloy Electrodes During Vacuum Consumable Arc Remelting," *IEEE Transactions on Plasma Science*, PS-11 (3) 223 (1983)
220. M. Faraday, "Experimental Relations of Gold (and Other Metals) to Light," (A Bakerian Lecture) *Phil. Trans.*, 147, 145 (1857) and reprinted in *Exp. Res. Chem. Phys.*, p. 391 (1857); also *Michael Faraday*, L. Pearce Williams, p. 474, Basic Books, Inc. (1965)
221. E. Moll and H. Daxinger, U.S. Patent #4,197,175 (1980); also R. Buhl, E. Moll, and H. Daxinger, "Method and Apparatus for Evaporating Material Under Vacuum Using Both Arc Discharge and Electron Beam," U.S. Patent #4,448,802 (1984); also H.K. Pulker, "Method of Producing Gold-Color Coatings," U.S. Patent #4,254,159 (Mar. 3, 1981)
222. S. Komiya and K. Tsuroka, "Thermal Input to Substrate During Deposition by Hollow Cathode Discharge," *J. Vac. Sci. Technol.*, 12, 589 (1975); also D.S. Komiya, "Physical Vapor Deposition of Thick Cr and its Carbide and Nitride Films by Hollow Cathode Discharge," *J. Vac. Sci. Technol.*, 13, 520 (1976)
223. *Atom and Ion Sources*, L. Valyi, John Wiley (1977); also J. Druaux and R. Bernas, p. 456 in *Electromagnetically Enriched Isotopes and Mass Spectrometry*, edited by M.L. Smith, Academic Press (1956)
224. D.E. Bradley, *Brit. J. Appl. Phys.*, 5, 65 (1954); also M.D. Blue and G.C. Danielson, "Electrical Properties of Arc-Evaporated Carbon Films," *J. Appl. Phys.*, 28, 583 (1957); also "Production of Self-Supporting Carbon Films," B.J. Massey, p. 922 in *Transactions of the 8th AVS National Symposium*, Pergamon Press (1961)
225. "A New Deposition Technique for Refractory Metal Films," M.S.P. Lucas, C.R. Vail, W.C. Stewart, and H.A. Owens, p. 988 in *Transactions of the 8th AVS National Symposium*, Pergamon Press (1962); also H. Wroe, "The Magnetic Stabilization of Low Pressure D.C. Arcs," *Brit. J. Appl. Phys.*, 9, 488 (1958)
226. M. Kikushi, S. Nagakura, H. Ohmura, and S. Oketani, "Structure of Metal Films Produced by Vacuum-Arc Evaporation Method," *Jpn. J. Appl. Phys.*, 4, 940 (1965)
227. A.R. Wolter, p. 2A-1 in *Proceedings of the 4th Microelectronic Symposium*, IEEE (1965)

228. A.M. Dorodnov, A.N. Kuznetsov, and V.A. Petrosov, "New Anode-Vapor Vacuum Arc With a Permanent Hollow Cathode," *Sov. Tech. Phys. Lett.*, 5(8) 419 (1979); also Y.S. Kuo, R.F. Bunshah, and D. Okrent, "Hot Hollow Cathode and its Application in Vacuum Coating: A Concise Review," *J. Vac. Sci. Technol.*, A4(3) 397 (1986); also H.K. Pulker, "Ion Plating as an Industrial Manufacturing Method," *J. Vac. Sci. Technol.*, A10(4) 1669 (1992)
229. H. Ehrlich, "The Anodic Vacuum Arc: Basic Construction and Phenomenology," *J. Vac. Sci. Technol.*, A6(1) 134 (1988); also *Vacuum Technik*, 37(3) 176 (1988)
230. A.A. Snaper, "Arc Deposition Process and Apparatus," U.S. Patent #3,836,451 (1974)
231. Leonid Pavlovich Sablev, Nikolai Petrovich Atamansky, Valentin Nikolaevich Gorbunov, Jury Ivanovich Dolotov, Vadim Nikolsevich Lutsenko, Valentin Mitro Fanovich Lunev, and Valdislav Vasilievich Usov, "Apparatus for Metal Evaporation Coating," U.S. Patent #3,793,179 (filed July 19, 1971) (Feb. 19, 1974)
232. W.M. Mularie, U.S. Patent #4,430,184 (1984)
233. A. Gilmour and D.L. Lockwood, "Pulsed Metallic-Plasma Generator," *Proceedings of the IEEE*, 60, 977 (1972)
234. P. Siemroth and H.-J. Scheibe, "The Method of Laser-Sustained Arc Ignition," *IEEE Trans. Plasma Sci.*, 18, 911 (1990)
235. Gary E. Vergason, "Electric Arc Vapor Deposition Device," U.S. Patent #5,037,522 (filed July 24, 1990) (Aug. 6, 1991); also K.R. Narendrnath and C. Zhao, *J. Adhesion Sci. Technol.*, 6, 1179 (1991)
236. Richard P. Welty, "Apparatus and Method for Coating a Substrate Using Vacuum Arc Evaporation," U.S. Patent #5,269,898 (filed Dec. 1991) (Dec. 24, 1993)
237. J.E. Daalder, "Components of Cathode Erosion in Vacuum Arc," *J. Phys., D. Appl. Phys.*, 9, 2379 (1976); also "Cathode Spots and Vacuum Arcs," *Phys. Stat. Solid.*, 104, 91 (1981); also C.W. Kimblin, "Cathode Spot Erosion and Ionization Phenomena in the Transition from Vacuum to Atmospheric Pressure Arcs," *J. Appl. Phys.*, 45(12) 5235 (1974)
238. I.I. Aksenov, V.A. Belous, and V.G. Padalka, "Apparatus to Rid the Plasma of a Vacuum Arc of Macroparticles," *Instrum Exp. Tech.*, 21, 1416 (1978); also I.I. Aksenov, V.A. Padalka, and A.I. Popov, *Sov. J. Plasma Phys.*, 4, 425 (1978); also I.I. Aksenov, A.N. Belokhvotikov, V.G. Padalka, N.S. Repalov, and V.M. Khoroshikh, *Plasma Physics Control Fusion*, 28, 761 (1986); also P.J. Martin, R.P. Netterfield, and T.J. Kinder, "Ion-Beam-Deposited Films Produced by Filtered Arc Evaporation," *Thin Solid Films*, 193/194, 77 (1990); also P.A. Lindfors and W.M. Mularie, "Cathodic Arc Deposition Technology," *Surf. Coat. Technol.*, 29, 275 (1986); also A. Anders, "Approaches to Rid Cathodic Arc Plasmas of Macroparticles and Nanoparticles: A Review," *Surf. Coat. Technol.*, 120/121, 319 (1999)
239. André Anders, private communication
240. D.M. Sanders, "Ion Beam Self-Sputtering Using a Cathodic Arc Ion Source," *J. Vac. Sci. Technol.*, A6(3) 1929 (1987)
241. I.I. Aksenov, Y.P. Antifiv, V.G. Bren, V.A. Padalka, A.I. Popov, and A.I. Khoroshikh, "Effects of Electron Magnetization in Vacuum-Arc Plasma on the Kinetics of the Synthesis of Nitrogen-Containing Coatings," *Sov. Phys. Tech. Phys.*, 26(2) 184 (1981); also D.M. Sanders and E.A. Pyle, "Magnetic Enhancement of Cathodic Arc Deposition," *J. Vac. Sci. Technol.*, A5(4) 2728 (1987)
242. Richard M. Poorman and Jack L. Weeks, "Vacuum Vapor Deposition," U.S. Patent #5,380,415 (Jan. 10, 1995); also Jack L. Weeks and Douglas M. Todd, "Enhanced Vacuum Arc Vapor Deposition Electrode," U.S. Patent #5,891,312 (April 6, 1999); also loc. cit. [201]
243. I.G. Kesaev and V.V. Pashkova, "The Electromagnetic Anchoring of the Cathode Spot," *Sov. Phys. Tech. Phys.*, 3, 254 (1959) [English translation of *Zh. Tekh. Fiz.*, 29, 287 (1959)]
244. S. Ramalingham, U.S. Patent #4,673,477 (1987)
245. I.G. Brown, X. Godechot, and K.M. Yu, *Appl. Phys. Lett.*, 58, 1392 (1991); also *Handbook of Plasma Immersion Ion Implantation and Deposition*, edited by A. Anders, John Wiley (2000)
246. W.M. Conn, *Phys. Rev.*, 79, 213 (1950); also D.M. Mattox, A.W. Mullendore, and F.N. Rebarchik, "Film Deposition by Exploding Wires," *J. Vac. Sci. Technol.*, 4, 123 (1967)
247. *Chemical Vapor Deposition*, edited by Jong-Hee Park and T.S. Sudarshan, Surface Engineering Series, Vol. 2, ASM International (2001)
248. *Plasma Deposition, Treatment and Etching of Polymers*, edited by Riccardo d'Agostino, Academic Press (1990)
249. *Plasma Deposited Thin Films*, edited by J. Mort and F. Jansen, CRC Press (1986)
250. W.E. Sawyer and A. Man, U.S. Patent #229,335 (June 29, 1880)
251. L. Mond, U.S. Patent #455,230 (June 30, 1891)
252. J.W. Aylesworth, U.S. Patent # 553,296 (Jan. 21,

- 1896); also A. deLodyguine, U.S. Patent #575,002 (Jan,12, 1897); also A.E. van Arkel and J.H. de Boer, *Z. Anorg. Allg. Chem.*, 148, 345 (1925)
253. J.J. Lander and L.H. Germer, *Trans. AIME*, 175, 648 (1948); also H.E. Hintermann, A.J. Perry and E. Horvath, "Chemical Vapour Deposition Applied in Tribology," *Wear*, 47, 407 (1978)
254. J.C. Theurer, *J. Electrochem. Soc.*, 108, 649 (1961); also W.E. Spear and P.G. LeComber, *Solid State Comm.*, 17, 1193 (1975)
255. R.S. Berg and D.M. Mattox, "Deposition of Metal Films by Laser-controlled CVD," *Proceedings of the 4th International Conference on Chemical Vapor Deposition*, edited by G.F. Wakefield and J.M. Blocher, Jr., p. 196, Electrochemical Society (1973); also Jerome Lemelson, "Chemical Reaction Apparatus and Method," U.S. Patent 4,702,808 (Oct. 27, 1987)
256. J. Sandor, *Electrochem. Soc. Ext. Abs.*, No. 96, 228 (1962); also W. Kern and G. L. Schnable, "Low-Pressure Chemical Vapor Deposition for Very Large-Scale Integration Processing—A Review," *IEEE Transactions on Electron Devices*, ED-26(4) 647 (1979); also R.S. Rosler, "Low Pressure CVD Production Processes for Poly, Nitride and Oxide," *Solid State Technol.*, 20(4) 63 (1977); also P. Singer, "Techniques of Low Pressure CVD," *Semicond. Intl.*, p. 72 (May 1984)
257. W. Kern and R.S. Rosler, "Advances in Deposition Processes for Passivation," *J. Vac. Sci. Technol.*, 14, 1082 (1977)
258. W.A. Bryant, *J. Cryst. Growth*, 35, 257 (1976); also T. Suntola, *Thin Solid Films*, 216 84 (1992)
259. H. Jeon, J.-W. Lee, Y.-D. Kim, D.-S. Kim and K.-S. Yi, "Study on the Characteristics of TiN Thin Film Deposited by the Atomic Layer Chemical Vapor Deposition Method," *J. Vac. Sci. Technol.*, A18(4) 1595 (2000)
260. "Plasma Deposition of Inorganic Thin Films," J.R. Hollahan and R.S. Rosler, Ch. 4-1 in *Thin Film Processes*, edited by J.L. Vossen and W. Kern, Academic Press (1978)
261. W. von Bolton, *Z. Electrochem.*, 17, 971 (1911); also O. Ruff, *Z. Anorg. Allg. Chem.*, 99, 73 (1917); also G. Tammann, *Z. Anorg. Allg. Chem.*, 155, 145 (1921)
262. R.L. Stewart, *Phys. Rev.*, 45, 488 (1934); also H. König and G. Helwig, *Z. Phys.*, 129, 491 (1951); also L. Holland and S.M. Ojah, *Thin Solid Films*, 38, L17 (1976)
263. H. Schmellenmeier, *Exp. Tech. Phys.*, 1, 49 (1953); also *Z. Phys. Chem.*, 205, 349 (1955-1956); also B.V. Spitsyn, L.L. Bouilov, and B.V. Derjaguin, *J. Cryst. Growth*, 52, 219 (1981)
264. "Technology of Vapor Phase Growth of Diamond Films," Richard J. Koba, Ch. 4 in *Diamond Films and Coatings*, edited by Robert F. Davis, William Andrew Publishing/Noyes Publications (1993); also J.C. Angus in *Diamond and Diamond-Like Films*, edited by J. Dismukes et al, *Electrochemical Society Proceedings*, Vol. PV 89-12, Electrochemical Society (1989); C.V. Deshpansay and R.F. Bunshah, "Diamond and Diamond-Like Films: Deposition Processes and Properties," *J. Vac. Sci. Technol.*, A7(3) 2294 (1989); also A. Altshuler, *Diamond Technology in the USSR: From Synthesis to Application*, Delphic Associates, (1990)
265. W.G. Eversole, U.S. Patent #3,030,188 (April 17, 1962); also D.J. Poferi, N.C. Gardner, and J.C. Angus, *J. Appl. Phys.*, 44(4) 1428 (1973)
266. A.R. Badzian and R.C. DeVries, *Mater. Res. Bull.*, 23, 385 (1988); also translation of Russian work (1970s) in *Surf. Coat. Technol.*, 38(1-2), (October 1989)
267. H.F. Sterling and R.C.G. Swann, *Solid State Technol.*, 6, 653 (1965); also M.J. Rand "Plasma-Promoted Deposition of Thin Inorganic Films," *J. Vac. Sci. Technol.*, 16(2) 420 (1979)
- 267a. S. Veprek and M. Heintz, *Plas. Chem. Plas. Proc.*, 10(1) 3 (1990)
- 267b. A.O. Klimovskii, A.V. Bavin, V.S. Tkulich, and A.A. Lisachenko, *React. Kinet. Catalysis Lett.* (from the Russian) 23(1-2)95 (1983)
268. "The Formation of Particles in Thin-Film Processing Plasmas," Christoph Steinbrüchel, p. 289 in *Plasma Sources For Thin Film Deposition and Etching: Physics of Thin Films*, Vol. 18, edited by Maurice H. Francombe and John L. Vossen, Academic Press (1994)
269. A.R. Reinberg, "Radial Flow Reactor," U.S. patent #3,757,733 (Sept. 11, 1973); also A.R. Reinberg, Abs. #6, *Extended Abstracts*, the Electrochemical Society Meeting, San Francisco, CA, May 12-17 (1974); also R.S. Rosler, W.C. Benzing, and J. Baldo, "A Production Reactor for Low-Temperature Plasma-Enhanced Silicon Nitride Deposition," *Solid State Technol.*, 19, 45 (June 1976); also A.R. Reinberg, *Ann. Rev. Mater. Sci.*, 9, 341 (1979); also M.J. Rand, *J. Vac. Sci. Technol.*, 16, 420 (1979)
270. L. Martinu and D. Poitras, "Plasma Deposition of Optical Films and Coatings: A Review," *J. Vac. Sci. Technol.*, A18(6) 2619 (2000)
271. D.M. Mattox, "Apparatus for Coating a Cathodically Biased Substrate From a Plasma of Ionized Coating Material," U.S. Patent #3,329,601 (July 4, 1967), assigned to the U.S. Atomic Energy Commission (USAEC)

272. "High Strength Ceramic-Metal Seals Metallized at Room Temperature," R. Culbertson and D.M. Mattox, p. 101 in *Proceedings of the 8th Conference on Tube Technology*, IEEE Conf. Record (1966)
273. Robert D. Culbertson, Russell C. McRae, and Harold P. Meyn, U.S. Patent #3,604,970 (1971)
274. W.E. Spear and P.G. LeComber, *Solid State Commun.*, 17, 1198 (1975)
275. D.E. Carlson and C.R. Wronski, *Appl. Phys. Lett.*, 28, 671 (1976)
276. P.G. LeComber, P.G. Spear, and A. Ghaith, *Electronic Lett.*, 15, 179 (1979); also W.E. Spear, *Adv. Phys.*, 26, 811 (1977); also W.E. Spear, p. 1 in *Amorphous and Liquid Semiconductors*, edited by J. Stude and W. Brenig, Taylor & Francis (1974)
277. T. Môri and Y. Namba, "Hard Diamondlike Carbon Films Deposited by Ionized Deposition of Methane Gas," *J. Vac. Sci. Technol.*, A1, 23 (1983); also S.R. Kasi, H. Kang, and J.W. Rabalais, "Chemically Bonded Diamond-like Films From Ion Beam Deposition," *J. Vac. Sci. Technol.*, A6(3) 1788 (1988); also S. Aisenberg and R.W. Chabot, "The Role of Ion-Assisted Deposition in the Formation of Diamond-like-Carbon Films," *J. Vac. Sci. Technol.*, A8(3) 2150 (1990)
278. K.S. Mogensen, C. Mathiasen, S.S. Eskildsen, H. Störi, and J. Bothiger, *Surf. Coat. Technol.*, 102, 35 (1998); also T.A. Beer, J. Laimer, and H. Störi, "Study of the Ignition Behavior of a Pulsed DC Discharge Used for Plasma-Assisted Chemical Vapor Deposition," *J. Vac. Sci. Technol.*, A18(2) 423 (2000)
279. "Chemical Beam Epitaxy," T.H. Chiu, Sec. A2.3.1 in *Handbook of Thin Film Process Technology*, edited by David Glocker and S. Ismat Shah, Institute of Physics Publishing (IOP) (1995)
280. W. Ensinger, *Rev. Sci. Instrum.*, 63, 5217 (1972); also *Large Ion Beams: Fundamentals of Generation and Propagation*, A. Theodore Forrester, p. 191, Wiley Interscience (1988)
281. S. Shanfield and R. Wolfson, "Ion Beam Synthesis of Cubic Boron Nitride," *J. Vac. Sci. Technol.*, A1(2) 323 (1983); also Hisao Katto, Kazunari Kobayashi, Yasushi Koga, and Machiko Koyama, "Method of Manufacturing a Metallic Oxide Film on a Substrate," U.S. Patent #3,668,095 (1972)
282. J. Madocks, "High-rate PECVD on Web Accomplished with New Magnetically Enhanced Source," p. 451 in *Proceedings of the 45th Annual Technical Conference*, Society of Vacuum Coaters (2002)
283. P. DeWilde, *Ber. Dtsch. Chem. Ges.*, 7, 4658 (1874)
284. A. Thenard, *C. R. Hebd. Seances Acad. Sci.*, 78, 219 (1874); also H. Hoenig and G. Helwig, *Z. Phys.*, 129, 491 (1951); also "Glow Discharge Polymerization," H. Yamada, Ch. IV-2, p. 361 in *Thin Film Processes*, edited by John L Vossen and Werner Kerm, Academic Press (1978); also C.J. Arguette, U.S. Patent #3,061,458 (1962); also *Plasma Polymerization*, H. Yasuda, Academic Press (1985)
285. H.P. Schreiber, M.R. Wertheimer, and A.M. Wróbel, "Corrosion Protection by Plasma-Polymerized Coatings," *Thin Solid Films*, 12, 487 (1980); also A.M. Wróbel and M.R. Wertheimer, "Plasma-Polymerized Organosilicones and Organometallics," p. 163 in *Plasma Deposition, Treatment, and Etching of Polymers*, edited by Riccardo d'Agostino, Academic Press (1990)
286. U.S. Patent # 6,156,566 (2001); also U.S. Patent #6,279,505 (2001)
287. "Plasma Polymer-Metal Composite Films," H. Biedermann and L. Martinu, p. 269 in *Plasma Deposition, Treatment, and Etching of Polymers*, edited by Riccardo d'Agostino, Academic Press (1990); also M. Neumann and M. Krug, "Plasma Assisted High-Rate Evaporation of Organically Modified SiO<sub>2</sub> Onto Plastics" (translated and edited by S.W. Schulz), *Vac. Technol. Coat.*, 3(3) 24 (2002); also German Patent Application #DE 195 48 160 C1
288. M. Dhayal, M.R. Alexander, and J.W. Bradley, "Investigating the Effect of Ion Flux and Electron Temperature for Plasma Polymerization of Acrylic Acid," to be presented at the 46th Annual Technical Conference of the Society of Vacuum Coaters (2003)
289. "Ion Plating and Ion Beam Assisted Deposition," Chapter 8 in *Handbook of Physical Vapor Deposition (PVD) Processing*, Donald M. Mattox, William Andrew Publishers/Noyes Publications (1998)
290. D.M. Mattox, "Ion Plating: Past, Present and Future," *Surf. Coat. Technol.*, 133, 517 (2000)
291. *Ion Plating Technology: Developments and Applications*, N.A.G. Ahmed, John Wiley (1987)
292. "Ion Plating," Donald M. Mattox, Ch. 6 in *Deposition Technologies for Films and Coatings*, second edition, edited by Rointan Bunshah et al, William Andrew Publishing/Noyes Publications (1994); there are extensive early references to ion plating in the "Ion Plating" chapter of the first edition of this book (1982)
293. Don Mattox, "Oral History Interview," Society of Vacuum Coaters (2002); also in 1995 Donald M. Mattox was awarded The Albert Nerken Award by the American Vacuum Society (now AVS International) "for his invention of the ion-plating process and its continued development."
294. *Ion Implantation and Plasma Assisted Processes*,

- edited by Robert F. Hochman, Hillary Solnick-Legg, and Keith Legg, ASM International (1988)
295. A. Anders, "Ion Plating and Beyond: Pushing the Limits of Energetic Deposition," p. 360 in *Proceedings of the 45th Annual Technical Conference*, Society of Vacuum Coaters (2002)
296. D.M. Mattox, "Film Deposition Using Accelerated Ions," Sandia Corp. Development Report SC-DR-281-63 (1963); also "Film Deposition Using Accelerated Ions," *Electrochem. Technol.*, 2, 295 (1964); also "Plating with a Permanence," *Time Magazine*, 85(3) 58 (Jan. 15, 1965)
297. H.E. Farnsworth, R.E. Schlier, T.H. George, and R.M. Burger, *J. Appl. Phys.*, 26, 252 (1955); also *J. Appl. Phys.*, 29, 1150 (1958); also G.S. Anderson and Roger M. Moseson, "Method and Apparatus for Cleaning by Ionic Bombardment," U.S. Patent #3,233,137 (filed Aug. 28, 1961) (Feb. 1, 1966); also "The Historical Development of Controlled Ion-assisted and Plasma-assisted PVD Processes," D.M. Mattox, p. 109 in *Proceedings of the 40th Annual Technical Conference*, Society of Vacuum Coaters (1997)
298. J.P. Coad and R.A. Dugdale, "Sputter Ion Plating," p. 186 in *Proceedings of International Conference: Ion Plating & Allied Techniques (IPAT 79)* (London,) Published by CEP Consultants Ltd, Edinburgh (July 1979)
299. T. Ohmi and T. Shibata, "Advanced Scientific Semiconductor Processing Based on High-Precision Controlled Low-Energy Ion Bombardment," *Thin Solid Films*, 241, 159 (1993); also loc cit [62]
300. D.M. Mattox, Discussion Section of the *J. Electrochem. Soc.*, 115(12) 1255 (1968)
301. *Ionized Physical Vapor Deposition*, edited by Jeffery A. Hopwood, Academic Press (2000)
302. J.S. Colligon, "Energetics Condensation: Processes, Properties and Products," *J. Vac Sci Technol.*, A13, 1649 (1995); also O.R. Monterio, "Thin Film Synthesis by Energetic Condensation," *Annual Rev. Mat. Sci.*, 31, 111 (2001)
303. loc. cit. [251, figure 4]; also R.T. Johnson and D.M. Darsey, "Resistive Properties of Indium and Indium-Gallium Contacts to CdS," *Solid State Electronics*, 11, 1015 (1968)
304. D.M. Mattox and G.J. Kominiak, "Structure Modification by Ion Bombardment During Deposition," *J. Vac. Sci. Technol.*, 9, 528 (1972); also S. Aisenberg and R.W. Chabot, *J. Vac. Sci. Technol.*, 10, 104 (1973); also R.D. Bland, G.J. Kominiak, and D.M. Mattox, "Effect of Ion Bombardment During Deposition on Thick Metal and Ceramic Deposits," *J. Vac. Sci. Technol.*, 11, 671 (1974)
305. A.G. Blackman, *Metall. Trans.*, 2, 699 (1971); also D.W. Hoffman and J.A. Thornton, "Internal Stresses in Sputtered Chromium," *Thin Solid Films*, 40, 355 (1977)
306. G.A. Lincoln, M.W. Geis, S. Pang, and N. Efremow, *J. Vac. Sci. Technol.*, 13(1), 1043 (1983); also J.M.E. Harper, J.J. Cuomo, and H.T.G. Hentzell, *Appl. Phys. Lett.*, 43, 547 (1984); also Y. Itoh, S. Hibi, T. Hioki, and J. Kawamoto, *J. Mat. Res.*, 6, 871 (1991)
307. K.D. Kennedy, G.R. Schevermann, and H.R. Smith, Jr., "Gas Scattering and Ion Plating Deposition Methods," *R&D Mag.*, 22(11) 40 (1971)
308. "Improvements in and Relating to the Coating of Articles by Means of Thermally Vaporized Material," B. Berghaus, U.K. Patent #510,993 (1938); also B. Berghaus and W. Burkhardt, U.S. Patent #2,305,758 (December 1942)
309. R. Frerichs, "Superconductive Films by Protected Sputtering of Tantalum or Niobium," *J. Appl. Phys.*, 33, 1898, 1962
310. L.I. Maissel and P.M. Schaible, "Thin Films Formed by Bias Sputtering," *J. Appl. Phys.*, 36, 237 (1965)
311. "Bias Sputtering of Molybdenum Films," R. Glang, R.A. Holmwood, and P.C. Furois, p. 643 in *Transactions of the 3rd International Vacuum Congress* (1965)
312. J.L. Vossen and J.J. O'Neill, Jr., "DC Sputtering with RF-Induced Substrate Bias," *RCA Review*, 29, 566 (1968); also John L. Vossen, Jr., "Method of Metalizing Semiconductor Devices," U.S. Patent #3,640,811 (Feb. 8, 1972)
313. L.I. Maissel, R.E. Jones, and C.L. Standley, *IBM Res. Dev.*, 14, 176 (1970); also R.D. Bland, G.J. Kominiak, and D.M. Mattox, "Effect of Ion Bombardment During Deposition on Thick Metal and Ceramic Deposits," *J. Vac. Sci. Technol.*, 11, 671 (1974)
314. E. Krikorian, "Preparation and Properties of Compound Materials by Reactive and Direct Sputtering," p. 38 in *Transactions 6th Conference and School on Applications of Sputtering* (1969) Sponsored by MRC; also J. Pompei, "The Mechanisms of DC, Modulated and RF Reactive Sputtering," p. 165 in *Transactions of the 3rd Symposium on Deposition of Thin Films by Sputtering* (1969), co-sponsored by Bendix and Univ. of Rochester; also R.H.A. Beal and R.F. Bunshah, p. 238 in *Proceedings of the 4th International Conference on Vacuum Metallurgy* (June 1973); also R.F. Bunshah and A.C. Raghuram, *J. Vac. Sci. Technol.*, 9, 1385 (1972); also M. Kobayashi and Y. Doi, *Thin Solid Films*, 54, 57 (1978)
315. D.M. Mattox and R.D. Bland, "Aluminum Coating

- of Uranium Reactor Parts for Corrosion Protection,” *J. Nucl. Materials*, 21, 349 (1967); also R.D. Bland, J.E. McDonald, and D.M. Mattox, “Ion Plated Coatings for the Corrosion Protection of Uranium,” Sandia Corp. Report No. SC-R-65-519 (1965)
316. T. Spalvins, J.S. Przbyszewski, and D.H. Buckley, “Deposition of Thin Films by Ion Plating on Surfaces Having Various Configurations,” NASA Lewis TN-D3707 (1966); also T. Spalvins, *J. Am. Soc. Lub. Eng.*, 33, 40 (1971); also B.C. Stupp, “Synergistic Effects of Metals Co-Sputtered With MoS<sub>2</sub>,” *Thin Solid Films*, 84, 257 (1981)
317. “Specialized Applications of Vapor-Deposited Films,” L.E. McCrary, J.F. Carpenter, and A.A. Klein, *Proceedings of the 1968 Metallurgy Conference*, American Vacuum Society (1968); also D.M. Mattox and F.N. Rebarchik, “Sputter Cleaning and Plating Small Parts,” *Electrochem. Technol.*, 6, 374 (1968); also K.E. Steube and L.E. McCrary, “Thick Ion-Vapor-Deposited Aluminum Coatings for Irregularly Shaped Aircraft and Spacecraft Parts,” *J. Vac. Sci. Technol.*, 11, 362 (1974); also James F. Carpenter, Leon E. McCrary, Kenneth E. Steube, Albert A. Klein, Jr., and George H. Kesler, “Glow Discharge Coating Apparatus,” U.S. Patent #3,750,623 (Aug. 7, 1973); also “Aluminum Plating by Ion Vapor Deposition,” NAVMIRO (Naval Material Industrial Resources Office) Bulletin #72 (June 1977)
318. Military Specification MIL-C-83488
319. R.T. Bell and J.C. Thompson, “Applications of Ion Plating in Metal Fabrication,” Oak Ridge, Y-12 Plant, Y-DA-5011 (1973); also J.W. Dini, “Ion Plating Can Improve Coating Adhesion,” *Metal Finish.*, 80(9) 15 (1993)
- 319a. J.K.G. Panitz and D.J. Sharp, “The Effect of Different Alloy Surface Compositions on Barrier Anodic Film Formation,” *J. Electrochem. Soc.*, 13(10) 2227 (1984)
320. D.M. Mattox and F.N. Rebarchik, “Sputter Cleaning and Plating Small Parts,” *Electrochem. Technol.*, 6, 374, 1968
321. “Ion Plating Technology,” D.M. Mattox, Ch. 6 in *Deposition Technologies for Films and Coatings—Development and Applications*, edited by R.F. Bunshah et al. Noyes Publications (1982); also J.N. Matossian, R.W. Schumacher, and D.M. Pepper, “Surface Potential Control in Plasma Processing of Materials,” U.S. Patent #5,374,456 (Dec. 20, 1994)
322. S. Schiller, U. Heisig, and K. Goedicke, “Alternating Ion Plating—A Method of High-Rate Ion Vapor Deposition,” *J. Vac. Sci. Technol.*, 12, 858 (1975)
323. P.M. Lefebvre, James W. Seeser, Richard Ian Seddon, Michael A. Scobey, and Barry W. Manley “Process for Depositing Optical Thin Films on Both Planar and Non-Planar Substrates” (filed July 7, 1994) U.S. Patent #5,798,027 (Aug. 25, 1998)
- 323a. N. Boling, B. Wood, and P. Morand, “A High Rate Reactive Sputtering Process for Batch, In-Line or Roll Coaters,” p. 286 in *Proceedings of the 38th Annual Technical Conference*, Society of Vacuum Coaters (1995)
324. H.R. Barker and R.J. Hill, “The Deposition of Multicomponent Phases in Ion Plating,” *J. Vac. Sci. Technol.*, 9(6) 1395 (1972)
325. “Low Temperature Optical Coatings With High Packing Density Produced With Plasma Ion Assisted Deposition,” S. Beisswenger, R. Gotzelmann, K. Matl, and A. Zoller, p. 21 in *Proceedings of the 37th Annual Technical Conference*, Society of Vacuum Coaters (1994); also S. Kadlec, J. Müsil, and W.-D. Müntz, “Sputtering Systems With Magnetically Enhanced Ionization for Ion Plating of TiN Films,” *J. Vac. Sci. Technol.*, A8(3) 1318 (1990)
326. D.G. Teer, B.L. Delcea, and A.J. Kirkham, *J. Adhesion*, 8, 171 (1976)
327. B.A. Probyn, *Brit. J. Appl. Phys. (J. Phys. D.)* 1, 457 (1968); also Arthur Laudel, “Ion Beam Deposition System,” U.S. Patent #3,583,361 (1971); also Gerald W. White, “New Applications of Ion Plating,” p. 43, *R&D Mag.* (July 1973); also Y. Murayama, “Thin Film Formation of In<sub>2</sub>O<sub>3</sub>, TiN, and TaN by RF Reactive Ion Plating,” *J. Vac. Sci. Technol.*, 12, 818 (1975)
328. A. Rockett, S.A. Barnett, and J.E. Greene, *J. Vac. Sci. Technol.*, B2, 306 (1984); also “Thin Film Deposition and Dopant Incorporation by Energetic Particle Sources,” Samuel Strite and Hadis Morkoç, Section A2.4 in *Handbook of Thin Film Process Technology*, edited by David A. Glocker and S. Ismat Shah, Institute of Physics Publishing (IOP) (1995)
329. P.J. Martin, R.P. Netterfield, D.R. McKenzie, I.S. Falconer, C.G. Pacey, P. Tomas, and W.G. Saintly, “Characterization of a Titanium Arc and the Structure of Deposited Ti and TiN Films,” *J. Vac. Sci. Technol.*, A(5), 22 (1987)
- 329a. W. Olbrich, J. Fessmann, G. Kampschulte and J. Ebberink, “Improved Control of TiN Coating Properties Using Cathodic Arc Evaporation With a Pulsed bias,” *Surf. Coat. Technol.*, 49,258 (1991); also J. Fessmann, W. Olbrich, G. Kampschulte and J. Ebberink, “Cathodic Arc Deposition of TiN and Zr(C,N) at Low Substrate Temperatures Using a Pulsed Bias Voltage,” *Mater. Sci. Eng.*, A140, 830 (1991)
330. D.M. Mattox and G.J. Kominiak, “Incorporation of

- Helium in Deposited Gold Films,” *J. Vac. Sci. Technol.*, 8, 194 (1971); also J.J. Cuomo and R.J. Gambino, “Incorporation of Rare Gases in Sputtered Amorphous Metal Films,” *J. Vac. Sci. Technol.*, 14, 152 (1977); also D. Chleck, R. Maehl, O. Cucchiara and E. Carnevale, *Int. J. Appl. Radiation Isotopes*, 14, 581 (1963); also D. Chleck and R. Maehl, *Int. J. Radiation Isotopes*, 14, 593 (1963); also D. Chleck and O. Cucchiara, *Int. J. Radiation Isotopes*, 14, 599 (1963); also [44]
331. P.J. Martin, R.P. Netterfield, W.G. Saintly, G.J. Clark, W.A. Lanford, and S.H. Sie, *Appl. Phys. Lett.*, 43, 711 (1983); also P.J. Martin, R.P. Netterfield, and W.G. Saintly, *J. Appl. Phys.*, 55, 235 (1984); also “Ion-Beam-Assisted Deposition,” Graham K. Hubler and James K. Hirvonen, p. 593 in *Surface Engineering*, Vol. 5, ASM Handbook (1994)
332. L. Pranevicius, “Structure and Properties of Deposits Grown by Ion-Beam-Activated Vacuum Deposition Techniques,” *Thin Solid Films*, 63, 77 (1979); also C. Weissmantel, G. Reisse, H.-J. Erler, F. Henny, K. Bewilogua, U. Ebersbach and C. Schurer, “Preparation of Hard Coatings by Ion Beam Methods,” *Thin Solid Films*, 63, 315 (1979); also J.M.E. Harper, J.J. Cuomo, R.J. Gambino, and H.E. Kaufmann, Ch. 4 in *Ion Bombardment Modification of Surfaces: Fundamentals and Applications*, edited by O. Auciello and R. Kelly, Elsevier (1984); also Hans K. Pulker and Helmut Daxinger, “Method of Producing Gold-Color Coatings,” U.S. Patent #4,254,159 (Mar. 3, 1981); also J.K. Hirvonen, “Ion Beam Assisted Thin Film Deposition,” *Mat. Sci. Reports*, 6, 215 (1991)
333. S. Aisenberg and R. Chabot, “Study of the Deposition of Single-Crystal Silicon, Silicon Dioxide and Silicon Nitride on Cold-Substrate Silicon,” Final Report prepared for NASA Electronic Research Center under Contract No. NAS 12-541 (October 1969); also *J. Appl. Phys.*, 42, 2953 (1971); also S. Aisenberg, U.S. Patent #3,904,505 (Sept. 9, 1975); also E.G. Spenser, P.H. Schmidt, D.C. Joy, and F.J. Sansalone, *Appl. Phys. Lett.*, 29, 118 (1976); also I.I. Aksenov, S.I. Vakula, V.G. Padalka, V.E. Strel’ nitskii, and V.M. Khoroshikh, “High-Efficiency Source of Pure Carbon Plasma,” *Sov. Phys. Tech. Phys.*, 25(9) 1164 (1980)
334. S. Aisenberg and R.W. Chabot, “Physics of Ion Plating and Ion Beam Deposition,” *J. Vac. Sci. Technol.*, 10(1) 104 (1973); also Sol Aisenberg, “Apparatus for Film Deposition,” U.S. Patent #3,904,505 (Sept. 9, 1975); also Sol Aisenberg, “Film Deposition,” U.S. Patent # 3,961,103 (June 1, 1976); also S. Aisenberg and F.M. Kimock, p. 67 in *Preparation and Characterization of Amorphous Carbon Films*, edited by J.J. Pouch and S.A. Altevitz, Trans Tech Publications (1990); also “Preparation, Structure, and Properties of Hard Coatings on the Basis of i-C and i-BN,” C. Weissmantel, Ch. 4, p. 153 in *Thin Films From Free Atoms and Particles*, edited by Kenneth J. Klabunde, Academic Press (1985)
335. P.D. Prewett and C. Mahoney, “Applications of Coatings Produced by Field Emission Deposition,” *Vacuum*, 43(3-4) 385 (1984)
336. J.A. Thornton, “The Influence of Bias Sputter Parameters on Thick Copper Coatings Deposited Using a Hollow Cathode,” *Thin Solid Films*, 40, 335 (1977)
337. W.H. Wayward, and A.R. Wolter, *J. Appl. Phys.*, 40, 2911 (1969)
338. “Recent Advances in Ion Plating,” D.M. Mattox, p. 443 in *Proceedings of the Sixth International Vacuum Congress*, (*Japan J. Appl. Phys. Suppl.* 2, Pt. 1), Kyoto (1974); also M. Koboyashi and Doi, *Thin Solid Films*, 54, 17 (1978); also R.F. Bunshah, *Thin Solid Films*, 80, 255 (1981)
339. J.R. Conrad and T. Castagna, “Plasma Source Ion Implantation for Surface Modification,” *Bull. Am. Phys. Soc.*, 31, 1479 (1986); also J.R. Conrad, R.A. Dodd, S. Han, M. Madapura, J. Scheuer, K. Sridharan, and F.J. Worzala, “Ion Beam Assisted Coating and Surface Modification with Plasma Source Implantation,” *J. Vac. Sci. Technol.*, A8(4) 3146 (1990); also I.G. Brown, X. Godechot, and K.M. Yu, *Appl. Phys. Lett.*, 58, 1392 (1991); also S.M. Malik, K. Sridharan, R.P. Featherstone, A. Chen, and J.R. Conrad, *J. Vac. Sci. Technol.*, B12, 843 (1994); also “Method and Apparatus for Plasma Source Ion Implantation,” J. Conrad, U.S. Patent #4,764,394 (Jan. 20, 1987)
340. I.G. Brown, R.A. MacGill, and J. Galvin, “Apparatus for Coating a Surface With a Metal Utilizing a Plasma Source,” U.S. Patent #5,013,578 (Dec. 11, 1989); also I.G. Brown, X. Godechot, and K.M. Yu, *Appl. Phys. Lett.*, 58, 1392 (1991); also A. Anders, “From Plasma Immersion Ion Implantation to Deposition: A Historical Perspective on Principles and Trends,” *Surf. Coat. Technol.*, 156, 3 (2002); also W. Emsinger, J. Klein, P. Usedom, and B. Rauschenbach, “Characteristic Features of an Apparatus for Plasma Immersion Ion Implantation and Physical Vapor Deposition,” *Surf. Coat. Technol.*, 93, 175 (1997); also “Survey of PIII&D Intellectual Property,” Jesse Matossian, p. 683 in *Handbook of Plasma Immersion Ion Implantation and Deposition*, edited by A. Anders, John Wiley (2000)
341. P.X. Yan, S.Z. Yang, B. Li, and X.S. Chen, “High Power Density Pulsed Power Deposition of Titanium Carbonitride,” *J. Vac. Sci. Technol.*, A14(1) 115 (1996)



342. *Handbook for Critical Cleaning*, edited by Barbara Kanesberg et al, CRC Press (2001)
343. "Preparation and Cleaning of Vacuum Surfaces," Donald M. Mattox, Chapter 4.9 in *Handbook of Vacuum Technology*, edited by Dorothy M. Hoffman, Bawa Singh, and John H. Thomas, III, Academic Press (1998)
344. D.M. Mattox, "Surface Effects on the Growth, Adhesion and Properties of Reactively Deposited Hard Coatings," *Surf. Coat. Technol.*, 81, 8 (1996)
345. R.R. Sowell, R.E. Cuthrell, R.D. Bland, and D.M. Mattox, "Surface Cleaning by Ultraviolet Radiation," *J. Vac. Sci. Technol.*, 11, 474 (1974)
346. R.S. Berg and G.J. Kominiak, "Surface Texturing by Sputter Etching," *J. Vac. Sci. Technol.*, 13(1) 403 (1976); also P. Sigmund, *J. Mater. Sci.*, 8, 1545 (1973)
347. S. Schiller, U. Heisig, and K. Steinfelder, *Thin Solid Films*, 33, 331 (1976)
348. "Thin Film Adhesion and Adhesive Failure—A Perspective," D.M. Mattox, p. 54, in *ASTM Proceedings of Conf. on Adhesion Measurement of Thin Films, Thick Films and Bulk Coatings*, ASTM-STP640 (Code 04-640000-25) (1978); also "Interface Formation During Thin Film Deposition," D.M. Mattox and J.E. McDonald, *J. Appl. Phys.*, 34, 2493, 1963; also "Adhesion and Deadhesion," Ch. 11 in *Handbook of Physical Vapor Deposition (PVD) Processing*, Donald M. Mattox, William Andrew Publishing/Noyes Publications (1998)
349. F.B. Koch, R.L. Meek, and D.V. McCaughan, "Implantation of Argon in SiO<sub>2</sub> Due to Backsputter Cleaning," *Extended Abst. 142nd National Meeting of the Electrochemical Society*, Abs. No. 250, Vol. 72-2 (1972); also H.R. Deppe, B. Hasler, and J. Hopfner, "Investigations on the Damage Caused by Ion Etching of SiO<sub>2</sub> Layers at Low Energy and High dose," *Solid State Electronics*, 20, 51 (1977)
350. J.J. Vossen, J.J. O'Neill, Jr., K.M. Finlayson, and J.E. Turner, *RCA Rev.*, 31, 293 (1970)
351. R. Kelley, "Bombardment-Induced Compositional Change With Alloys, Oxides, Oxysalts, and Halides," p. 91 in *Handbook of Plasma Processing Technology: Fundamental, Etching, Deposition and Surface Interactions*, Noyes Publications (1990) (Alloys)
352. G. Betz and G.K. Wehner, "Sputtering of Multi-component Materials," Chapter 2 in *Sputtering by Particle Bombardment II: Sputtering of Alloys and Compounds, Electron and Neutron Sputtering, Surface Topography*, edited by R. Behrisch, Springer-Verlag (1983)
353. D.J. Sharp and J.A. Panitz, *Surf. Sci.*, 118, 429 (1982)
354. Reza Alani, Joseph Jones, and Peter Swann, "Chemically Assisted Ion Beam Etching (CAIBE)—A New Technique for TEM Specimen Preparation of Materials," p. 85 in *Specimen Preparation for Transmission Electron Microscopy of Materials II* edited by Ron Anderson, Materials Research Society Symposium Proceedings, Vol. 199 (1990)
355. J. Strong, *Rev. Sci. Instrum.*, 6, 97 (1935); also "The Cleaning of Glass," Ch. 4. in *The Properties of Glass Surfaces*, L. Holland, John Wiley (1964)
356. G.J. Kominiak and D.M. Mattox, *Thin Solid Films*, 40,141 (1977)
357. H.F. Dylla, *J. Nucl. Mat.*, 93/94, 61 (1980); also H.F. Dylla, *J. Vac. Sci. Technol.*, A6(3) 1276 (1988)
358. J. Roth, "Chemical Sputtering," Ch. 3 in *Sputtering by Particle Bombardment II*, edited by R. Behrisch, Springer-Verlag (1983)
359. J.A. Kelber, "Plasma Treatment of Polymers for Improved Adhesion," p. 255 in *Adhesion in Solids*, edited by D.M. Mattox, J.E.E. Baglin, R.J. Gottschall, and C.D. Batick, MRS Symposium Proceedings, Vol. 119 (1988); also E.M. Liston, L. Martinu, and M.R. Wertheimer, "Plasma Surface Modification of Polymers for Improved Adhesion: A critical review," p. 3 in *Plasma Surface Modification of Polymers*, edited by M. Strobel, C. Lyons, and K.L. Mittal, VPS Publications (1994); also L.J. Gerenser, "Surface Chemistry for Treated Polymers," Section E3.1 in Suppl. 96/2 in *Handbook of Thin Film Process Technology*, edited by David B. Glocker and S. Ismat Shah, Institute of Physics Publishing (1995); also M.R. Wertheimer, L. Martinu, and E.M. Liston, "Plasma Sources for Polymer Surface Treatment," Section E3.0 in Suppl. 96/2 in *Handbook of Thin Film Process Technology*, edited by David B. Glocker and S. Ismat Shah, Institute of Physics Publishing (1995)
360. J. Gazecki, G.A. Sai-Halasz, R.G. Alliman, A. Kellock, G.L. Nyberg and J.S. Williams, "Improvement in the Adhesion of Thin Films to Semiconductors and Oxides Using Electron and Photon Irradiation," *Appl. Surf. Sci.*, 22/23, 1034 (1985)
361. K. Rossman, *J. Polymer Sci.*, 19, 141 (1956)
362. R.H. Hansen and H. Schornhorn, *J. Polymer Sci.: Polymer Lett.*, B4, 203 (1966); also H. Schornhorn, F.W. Ryan and R.H. Hansen, "Surface Treatment of Polypropylene for Adhesive Bonding," *J. Adhesion*, 2, 93 (1970); also R.R. Sowell, N.J. DeLollis, H.J. Gregory, and O. Montoya, "Effects of Activated Gas Plasma on Surface Characteristics and Bondability of RTV Silicone and Polyethylene," p. 77 in *Recent Advances in Adhesion*, edited by L.-

- H. Lee, Gordon and Breach (1973)
363. J.K. Hirvonen, *J. Vac. Sci. Technol.*, 15,1662 (1978); also L.E. Pope, F.G. Yost, D.M. Follstaedt, S.T. Picraux, and J.A. Knapp, "Friction and Wear Reduction of 440C Stainless Steel by Ion Implantation," p. 661 in *Ion Implantation and Ion Beam Processing of Materials*, edited by G.K. Hubler, O.W. Holland, C.R. Clayton, and C.W. White, Vol. 27, *MRS Symposium Proceedings*, North-Holland (1984); also I. Masaya, *Crit. Rev. Solid State/Mater. Sci.*, 15(5) 473 (1989)
364. C.K. Jones and S.W. Martin, *Metal. Prog.*, 85, 94 (1964); also A. Leland, K.S. Fancey, and A. Matthews, *Surf. Eng.*, 7(3) 207 (1991)
365. W.L. Grube and J.G. Gay, "High-Rate Carburizing in a Glow Discharge Methane Plasma," *Metall. Trans.*, 9A, 1421 (1978)
366. "The Formation of Particles in Thin-Film Processing Plasmas," Christoph Steinbrüchel, p. 289 in *Physics of Thin Films, Vol. 18—Plasma Sources for Thin Film Deposition and Etching*, edited by Maurice H. Francombe and John L. Vossen, Academic Press (1994)
367. D. Chen and S. Hackwood, "Vacuum Particle Generation and the Nucleation Phenomena During Pumpdown," *J. Vac. Sci. Technol.*, A8(2) 933 (1990); also J.J. Wu, D.W. Cooper, and R.J. Miller, "Aerosol Model of Particle Generation During Pressure Reduction," *J. Vac. Sci. Technol.*, A8(3) 1961 (1990); also J.F. O'Hanlon, "Advances in Vacuum Contamination Control for Electronic Materials Processing," *J. Vac. Sci. Technol.*, A5(4) 2067 (1987)
368. loc. cit. [2] p. 74; also [14]
- 368a. "The Low-Pressure Gas and Vacuum Processing Environment," Ch. 3, Table 3-11, in *Handbook of Physical Vapor Deposition (PVD) Processing*, Donald M. Mattox, William Andrew Publishing/Noyes Publications (1998)
369. R.W. Phillips, "Optically Variable Films, Pigments, and Foils," SPIE Vol. 1323, *Optical Thin Films III: New Developments*, 98 (1990); also A. Argoitia and M. Witzman, "Pigments Exhibiting Diffractive Effects," p. 539, *Proceedings of the 45th Annual Technical Conference*, Society of Vacuum Coaters (2002)
370. *They All Laughed: From Light Bulbs to Lasers: The Fascinating Stories Behind the Great Inventions That Have Changed Our Lives*, Ira Flatow, HarperCollins (1992); also *The Last Lone Inventor: A Tale of Genius, Deceit & the Birth of Television*, (Philo T. Farnsworth vs. David Sarnoff), Evan I. Schwartz, HarperCollins (2002)
371. *Stress-Induced Phenomena in Metallization*, edited by P.S. Ho, C. Li, and P. Totta, AIP Conference Proceedings (1985)
372. J.W. Vossen, A.W. Stephens and G.L. Schnable, *Bibliography on Metallization Materials & Techniques for Silicon Devices*, AVS Publication (1974); also John Vossen, *Bibliography on Metallization Materials & Techniques for Silicon Devices—(II-IX)*, AVS Publication (1976-1983). These bibliographies were distributed free to members of the AVS Thin Film Division and were for sale to others.
373. *Procedures in Experimental Physics*, J. Strong, p. 168, Prentice-Hall (1938)